



T&S BRASS AND BRONZE WORKS, INC.

2 Saddleback Cove / P.O. Box 1088
Travelers Rest, SC 29690

Model No.

B-0133-18CRBJST

Item No.

Travelers Rest, SC: 800-476-4103 • Simi Valley, CA: 800-423-0150 • Fax: 864-834-3518 • www.tsbrass.com

This Space for Architect/Engineer Approval

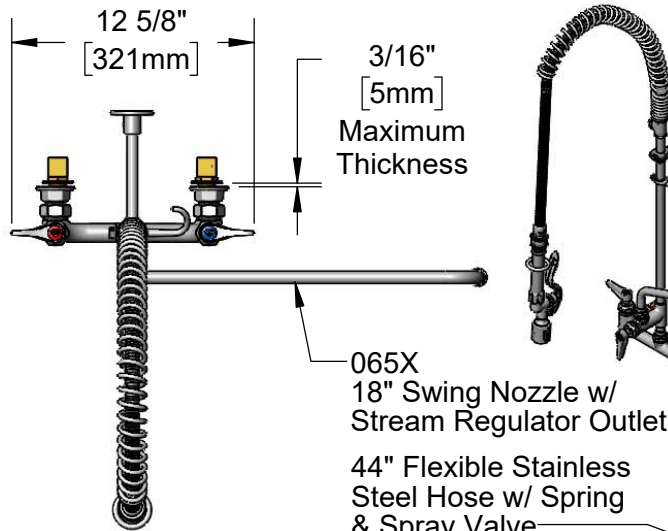
Job Name _____ Date _____

Model Specified _____ Quantity _____

Customer/Wholesaler _____

Contractor _____

Architect/Engineer _____



065X
18" Swing Nozzle w/
Stream Regulator Outlet

44" Flexible Stainless
Steel Hose w/ Spring
& Spray Valve

B-TEE-RGD
Tee for Accessory Fittings
Direction of Tee is Discretion
of End-User During Installation

018200-40
Pre-Rinse Swivel
Finger Hook

Items Not
Shown
for Clarity

3/8" NPT x
18" Riser

EasyInstall
Lock Nut
& Bushing

18"
[458mm]

13 1/16"
[332mm]

3 11/16"
[93mm]

9 15/16"
[252mm]

8"
[203mm]
Adjustable From
7 3/4" to 8 1/4"
[197mm to 210mm]

Quarter-Turn Cerama
Cartridges w/ Check
Valves & Lever Handles
w/ Color Coded Indexes

7 13/16"
[198mm]

3 7/16"
[87mm]

B-0107-J
1.07 GPM
Spray Valve

B-0109-01
6" Wall
Bracket

2 5/16"
[59mm]

EasyInstall
Add-On
Faucet w/
Quarter-Turn
Cerama
Cartridge &
Lever Handle

B-0230-K
Installation Kit
w/ 1/2" NPT
Male Elbow
Inlets

Mounting
Surface

38 7/16"
[976mm]

2 3/8"
[61mm]

14 1/8"
[358mm]

Rough-In Requirement:

(2) ϕ 1" [25mm] Mounting Holes

Product Specifications:

Pre-Rinse Unit: EasyInstall 8" Wall Mount Mixing Faucet, Quarter-Turn Cerama Cartridges w/ Check Valves, Lever Handles, Add-On Faucet w/ 2" Nipple, 18" Swing Nozzle w/ Stream Regulator Outlet, 44" Flexible Stainless Steel Hose, 1.07 GPM Spray Valve w/ Swivel, 6" Wall Bracket, Accessory Fitting Tee & 1/2" NPT Male Elbow Installation Kit

Product Compliance:

ASME A112.18.1 / CSA B125.1
NSF 61 - Section 9
NSF 372 (Low Lead Content)
2019 DOE PRSV - Class II



T&S BRASS AND BRONZE WORKS, INC.

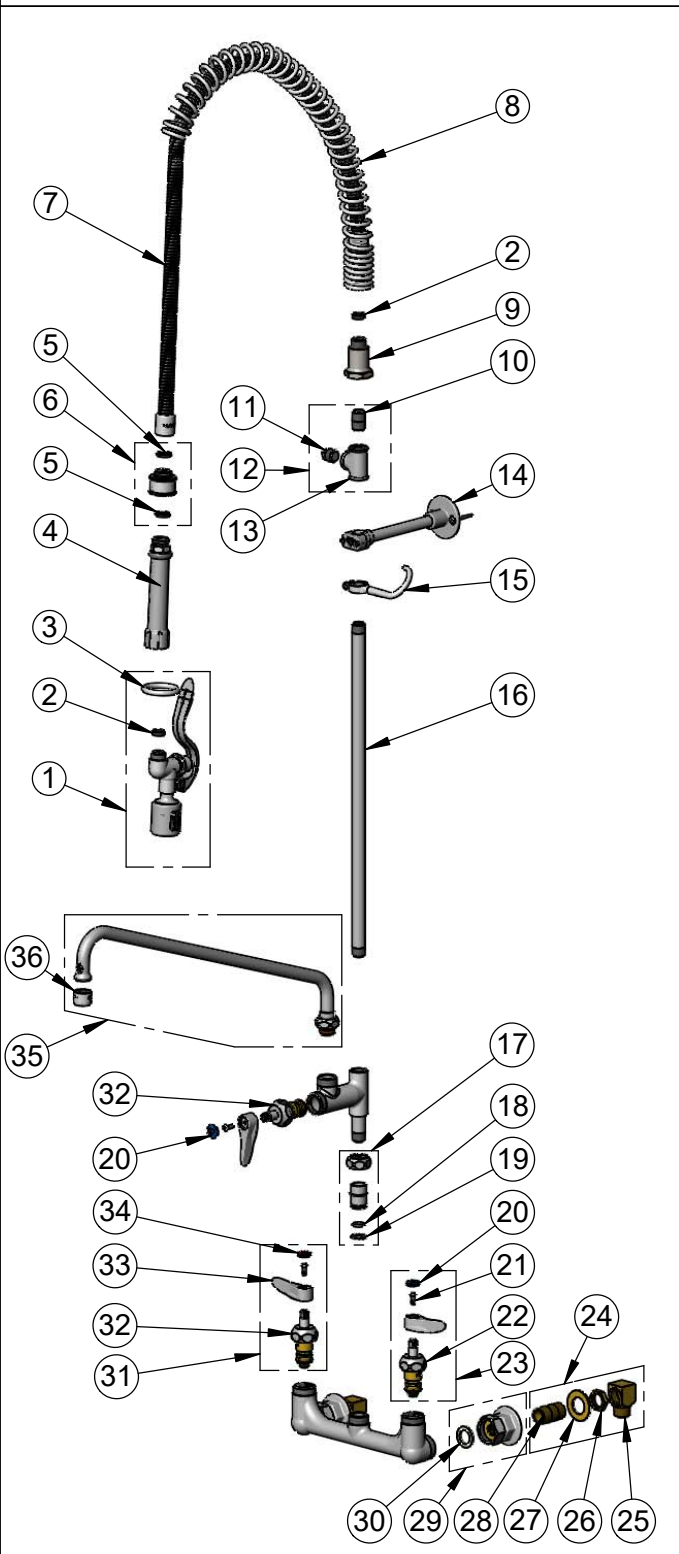
2 Saddleback Cove / P.O. Box 1088
Travelers Rest, SC 29690

Model No.

B-0133-18CRBJST

Item No.

Travelers Rest, SC: 800-476-4103 • Simi Valley, CA: 800-423-0150 • Fax: 864-834-3518 • www.tsbrass.com



ITEM NO.	SALES NO.	DESCRIPTION
1	B-0107-J	1.07 GPM Spray Valve
2	010476-45	#27 Washer
3	000907-45	Spray Valve Hold Down Ring
4	002987-40	Grip Handle
5	001014-45	Washer, B-0100 Hose Barrel
6	018200-40	Pre-Rinse Swivel
7	B-0044-H2A	44" Flexible Stainless Steel Hose, Less Handle
8	000888-45	EasyInstall Overhead Spring
9	000821-40	Spring Body
10	002535-25	3/8" Close Nipple
11	002369-25	3/8" NPT Plug
12	001614-45	3/8" NPT Tee
13	B-TEE-RGD	Rigid Tee
14	B-0109-01	6" Wall Bracket
15	004R	Finger Hook
16	000369-40	3/8" NPT x 18" Riser
17	EZ-K	EasyInstall Kit: Nut, Bushing, O-Ring & Lock Washer
18	001065-45	O-Ring
19	014200-45	Star Washer, Anti-Rotation
20	018506-19NS	Blue Button Index, Press-in
21	000925-45	Lab Handle Screw
22	012395-25NS	Quarter-Turn Cerama Cartridge w/ Check Valve, LTC
23	012447-25NS	Quarter-Turn Cerama Cartridge w/ Check Valve, Handle, Blue Index & Screw, LTC
24	B-0230-K	Short Elbow Installation Kit
25	B-1100-K	1/2" NPT Male Inlet Elbow
26	002954-45	Shank Lock Nut
27	000999-45	Brass Lock Washer
28	013357-20	1/2" NPT x 1-5/8" Lg. Close Nipple
29	00AA	1/2" NPT Female Eccentric Flange
30	001019-45	Coupling Nut Washer
31	012446-25NS	Quarter-Turn Cerama Cartridge w/ Check Valve, Handle, Red Index & Screw, RTC
32	012394-25NS	Quarter-Turn Cerama Cartridge w/ Check Valve, RTC
33	001638-45NS	Lever Handle (New Style)
34	001193-19NS	Red Button Index, Press-in
35	065X	18" Swing Nozzle
36	B-PT	Full Flow Stream Regulator, 55/64-27

Product Specifications:
Pre-Rinse Unit: EasyInstall 8" Wall Mount Mixing Faucet, Quarter-Turn Cerama Cartridges w/ Check Valves, Lever Handles, Add-On Faucet w/ 2" Nipple, 18" Swing Nozzle w/ Stream Regulator Outlet, 44" Flexible Stainless Steel Hose, 1.07 GPM Spray Valve w/ Swivel, 6" Wall Bracket, Accessory Fitting Tee & 1/2" NPT Male Elbow Installation Kit

Product Compliance:
ASME A112.18.1 / CSA B125.1
NSF 61 - Section 9
NSF 372 (Low Lead Content)
2019 DOE PRSV - Class II