



ADA Compliant

This Space for Architect/Engineer Approval

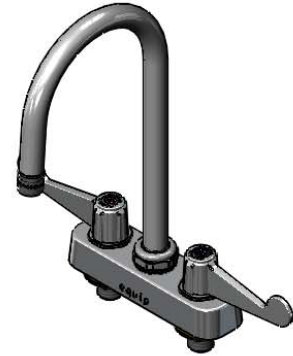
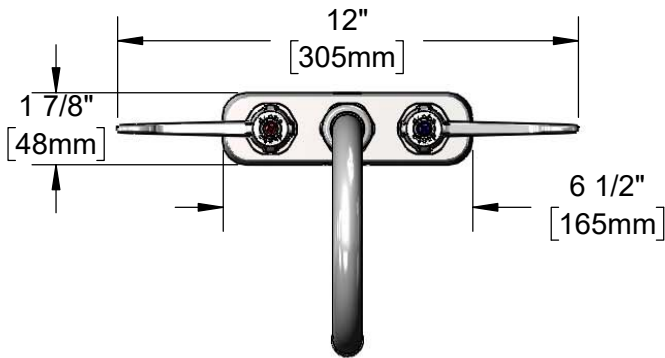
Job Name _____ Date _____

Model Specified _____ Quantity _____

Customer/Wholesaler _____

Contractor _____

Architect/Engineer _____



5SP-05A
 equip 5 1/2" Swivel Gooseneck
 w/ 2.2 GPM Aerator.
 Rigid Conversion Requires
 014200-45 Lock Washer
 (Sold Separately)

Quarter-Turn
 Ceramic Cartridges &
 equip 4" Wrist Action
 Handles w/
 Color Coded Screws

1 1/16"
[27mm]



Mounting Surface

1/4"
[6mm]
Maximum
Thickness

1 1/8"
[29mm]

4"
[102mm]

5 9/16"
[141mm]

11 7/8"
[302mm]

6 5/8"
[168mm]

1/2" NPT
Male Inlets

Rough-In Requirement:
 (2) Ø 1" [25mm] Mounting Holes

Model Number

5F-4CW05A

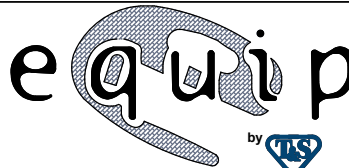
Product Specifications:

4" Deck Mount Workboard Mixing Faucet w/ Quarter-Turn Ceramic Cartridges, equip 4" Wrist Action Handles, equip 5 1/2" Swivel Gooseneck w/ 2.2 GPM Aerator & 1/2" NPT Male Inlets

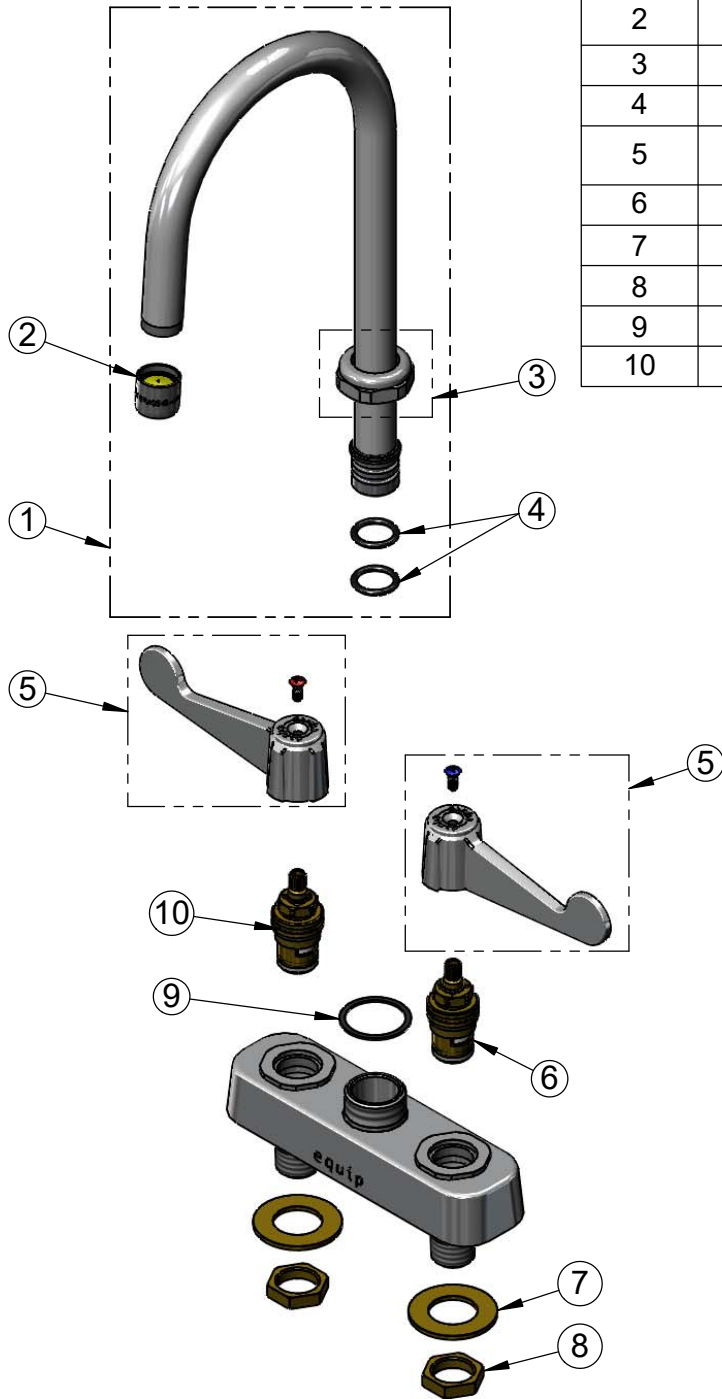
Product Compliance:

ASME A112.18.1 / CSA B125.1
 NSF 61 - Section 9
 NSF 372 (Low Lead Content)
 ANSI A117.1 (ADA)

equip
 Foodservice
 Accessories



2 Saddleback Cove, P.O. Box 1088
 Travelers Rest, South Carolina 29690
 Phone: 800.891.4808 Fax: 800.868.0084
 equip.tsbrass.com



ITEM NO.	SALES NO.	DESCRIPTION
1	5SP-05A	equip 5 1/2" Swivel Gooseneck
2	013838-45	2.2 GPM Aerator, 3/4-27 UN Female
3	013839-25	equip Swivel Nut
4	013848-45	equip Swivel Piece O-Ring
5	5-HDL-W	equip 4" Wrist Action Handle w/ Color Coded Screws
6	013788-45	equip Ceramic Cartridge, LTC
7	000999-45	Brass Lock Washer
8	002954-45	Shank Lock Nut
9	017587-45	Swivel Nut Seal
10	013787-45	equip Ceramic Cartridge, RTC

Model Number
5F-4CW05A

Product Specifications:
4" Deck Mount Workboard Mixing Faucet w/ Quarter-Turn Ceramic Cartridges, equip 4" Wrist Action Handles, equip 5 1/2" Swivel Gooseneck w/ 2.2 GPM Aerator & 1/2" NPT Male Inlets

Product Compliance:
ASME A112.18.1 / CSA B125.1
NSF 61 - Section 9
NSF 372 (Low Lead Content)
ANSI A117.1 (ADA)

equip
Foodservice
Accessories



2 Saddleback Cove, P.O. Box 1088
Travelers Rest, South Carolina 29690
Phone: 800.891.4808 Fax: 800.868.0084
equip.tsbrass.com