

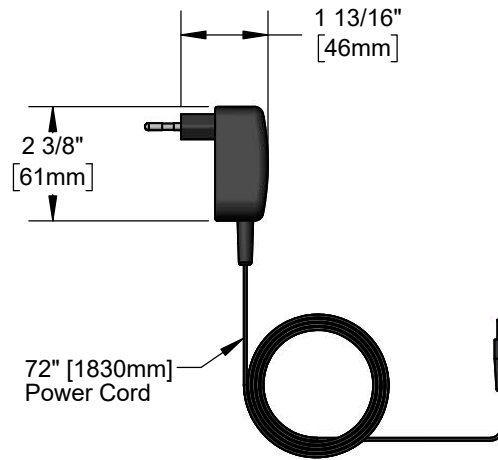


Electronic Sensor Faucet AC/DC Adapter

Architect/Engineering Specifications:

Plug-in AC adapter for EU receptacles with 72" long power cord, 100-240 VAC input and 6 VDC output. Efficiency level VI compliant. UL listed.

Job Name _____
 Model Specified _____ Quantity _____
 Variations Specified _____
 Date _____



Features & Benefits:

- Plug-in AC adapter for EU receptacles
- 72" long power cord
- Input: 100-240 VAC, 50/60 Hz
- Output: 6 VDC / 1.0 A
- For use with ChekPoint and equip electronic sensor faucet control modules

Product Compliance:

- UL Listed
- Class 2
- Level VI



Warranty: Three Year (Limited)

Performance Data:

- Input: 100-240 VAC, 50/60 Hz
- Output: 6 VDC / 1.0 A

