



# T&S BRASS AND BRONZE WORKS, INC.

2 Saddleback Cove / P.O. Box 1088  
Travelers Rest, SC 29690

Model No.

**B-0133-EE-CR-8C**

Item No.

Travelers Rest, SC: 800-476-4103 • Simi Valley, CA: 800-423-0150 • Fax: 864-834-3518 • www.tsbrass.com

This Space for Architect/Engineer Approval

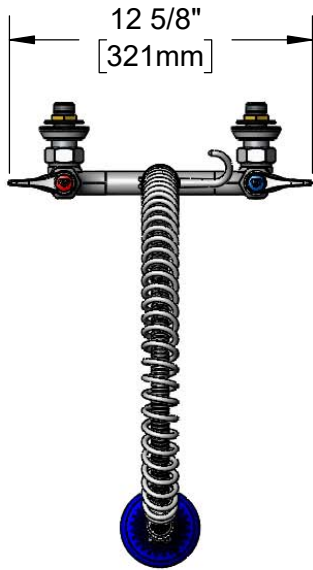
Job Name \_\_\_\_\_ Date \_\_\_\_\_

Model Specified \_\_\_\_\_ Quantity \_\_\_\_\_

Customer/Wholesaler \_\_\_\_\_

Contractor \_\_\_\_\_

Architect/Engineer \_\_\_\_\_



44" Flexible Stainless Steel Hose w/ Spring & Spray Valve

Items Not Shown For Clarity

Finger Hook

3/8" NPT x 18" Riser

EasyInstall Lock Nut & Bushing

Quarter-Turn Cerama Cartridges w/ Check Valves & Lever Handles w/ Color Coded Indexes

B-0108-C 0.65 GPM Low Flow Spray Valve

Ø 2" [51mm] Flanges w/ 1/2" NPT Male Inlets

3 11/16" [93mm]

8" [203mm]

5 9/16" [141mm]

14 7/16" [366mm]

33 5/16" [846mm]

2 5/16" [59mm]

3/16" [4mm]

Maximum Thickness

Mounting Surface

Rough-In Requirement:  
(2) Ø 1" [25mm] Mounting Holes

**Product Specifications:**

Pre-Rinse Unit: EasyInstall 8" Wall Mount Mixing Faucet, Quarter-Turn Cerama Cartridges w/ Check Valves, Lever Handles, 44" Flexible Stainless Steel Hose, 0.65 GPM Spray Valve & 1/2" NPT Male Inlets

**Product Compliance:**

ASME A112.18.1 / CSA B125.1  
NSF 61 - Section 9  
NSF 372 (Low Lead Content)  
2019 DOE PRSV - Class I



# T&S BRASS AND BRONZE WORKS, INC.

2 Saddleback Cove / P.O. Box 1088  
Travelers Rest, SC 29690

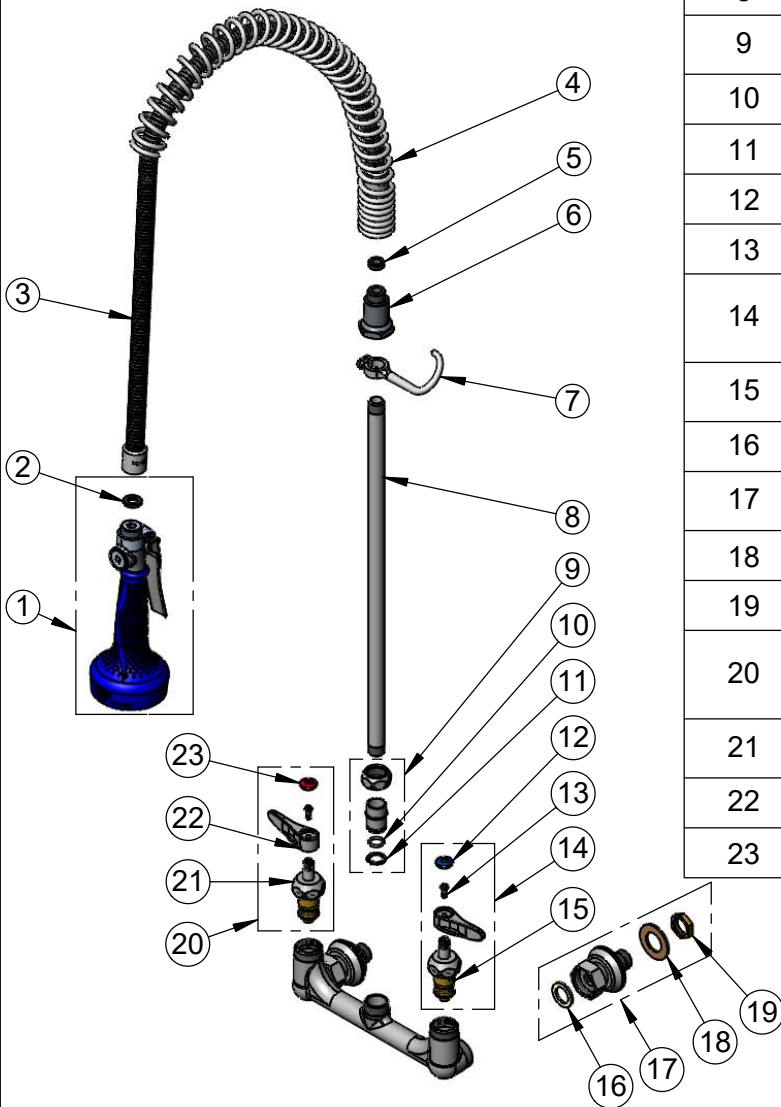
Model No.

**B-0133-EE-CR-8C**

Item No.

Travelers Rest, SC: 800-476-4103 • Simi Valley, CA: 800-423-0150 • Fax: 864-834-3518 • www.tsbrass.com

ITEM NO.	SALES NO.	DESCRIPTION
1	B-0108-C	0.65 GPM Low Flow Spray Valve w/ Ergo-Grip
2	001014-45	Washer, B-0100 Hose Barrel
3	B-0044-H2A	44" Flexible Stainless Steel Hose, Less Handle
4	000888-45	EasyInstall Overhead Spring
5	010476-45	#27 Washer
6	000821-40	Spring Body
7	004R	Finger Hook
8	000369-40	3/8" NPT x 18" Riser
9	EZ-K	EasyInstall Kit: Nut, Bushing, O-ring & Lock Washer
10	001065-45	O-Ring
11	014200-45	Star Washer, Anti-Rotation
12	018506-19NS	Blue Button Index, Press-in
13	000925-45	Lab Handle Screw
14	012447-25NS	Quarter-Turn Cerama Cartridge w/ Check Valve, Handle, Blue Index & Screw, LTC
15	012395-25NS	Quarter-Turn Cerama Cartridge w/ Check Valve, LTC
16	001019-45	Coupling Nut Washer
17	00EE	1/2" NPT Male Inlet w/ Adjustable Flange
18	000999-45	Brass Lock Washer
19	002954-45	Shank Lock Nut
20	012446-25NS	Quarter-Turn Cerama Cartridge w/ Check Valve, Handle, Red Index & Screw, RTC
21	012394-25NS	Quarter-Turn Cerama Cartridge w/ Check Valve, RTC
22	001638-45NS	Lever Handle (New Style)
23	001193-19NS	Red Button Index, Press-in



**Product Specifications:**  
Pre-Rinse Unit: EasyInstall 8" Wall Mount Mixing Faucet, Quarter-Turn Cerama Cartridges w/ Check Valves, Lever Handles, 44" Flexible Stainless Steel Hose, 0.65 GPM Spray Valve & 1/2" NPT Male Inlets

**Product Compliance:**  
ASME A112.18.1 / CSA B125.1  
NSF 61 - Section 9  
NSF 372 (Low Lead Content)  
2019 DOE PRSV - Class I