



T&S BRASS AND BRONZE WORKS, INC.

2 Saddleback Cove / P.O. Box 1088
Travelers Rest, SC 29690

Model No.

B-0132

Item No.

Travelers Rest, SC: 800-476-4103 • Simi Valley, CA: 800-423-0150 • Fax: 864-834-3518 • www.tsbrass.com

This Space for Architect/Engineer Approval

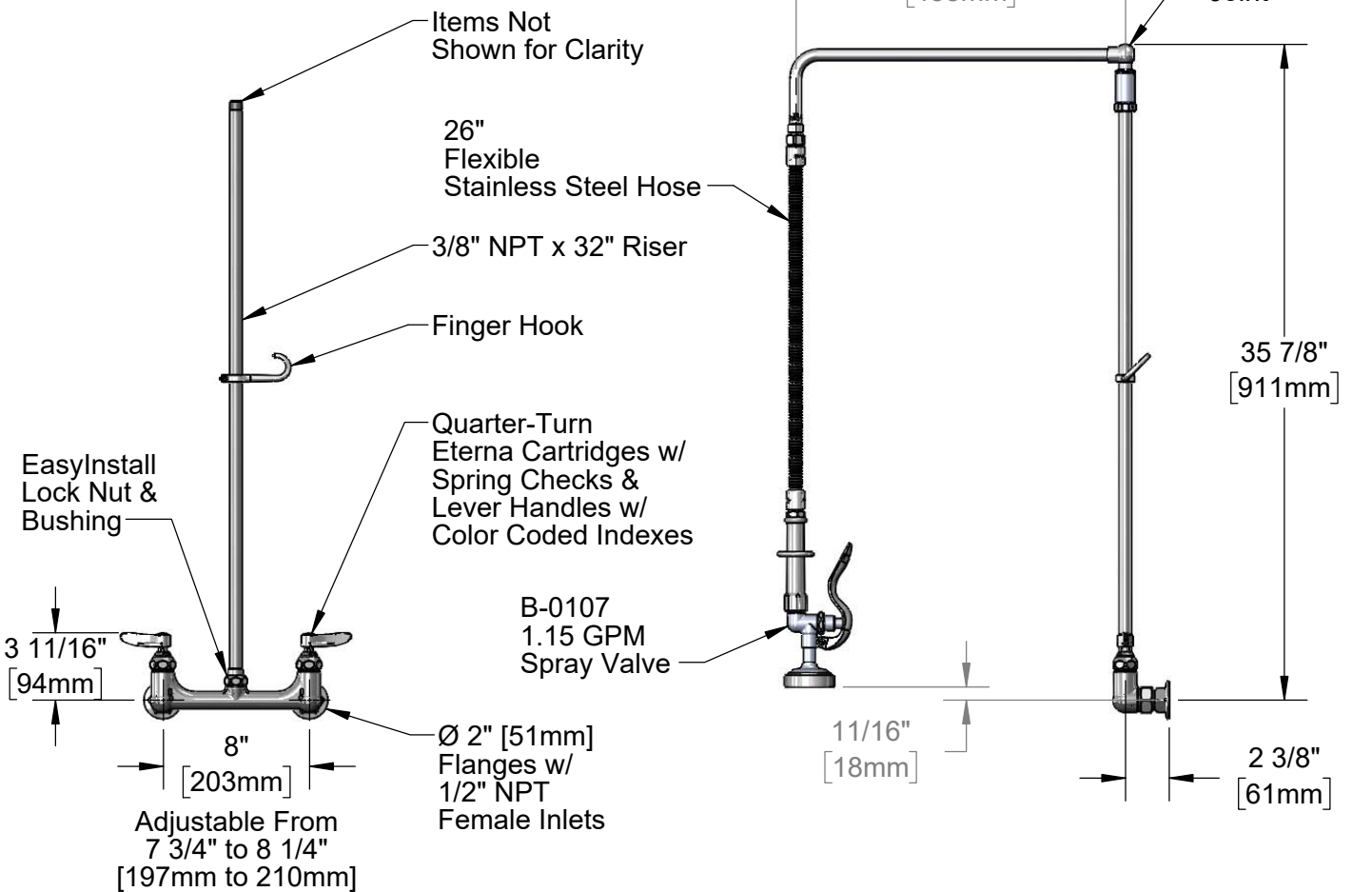
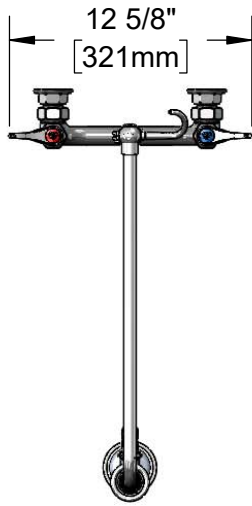
Job Name _____ Date _____

Model Specified _____ Quantity _____

Customer/Wholesaler _____

Contractor _____

Architect/Engineer _____



Product Specifications:

Pre-Rinse Unit: 8" Wall Mount Mixing Faucet, Quarter-Turn Eterna Cartridges w/ Spring Checks, Lever Handles, Overhead Swivel Arm, 26" Flexible Stainless Steel Hose w/ 1.15 GPM Spray Valve, 6" Wall Bracket & 1/2" NPT Female Inlets

Product Compliance:

ASME A112.18.1 / CSA B125.1
NSF 61 - Section 9
NSF 372 (Low Lead Content)
2019 DOE PRSV - Class II



T&S BRASS AND BRONZE WORKS, INC.

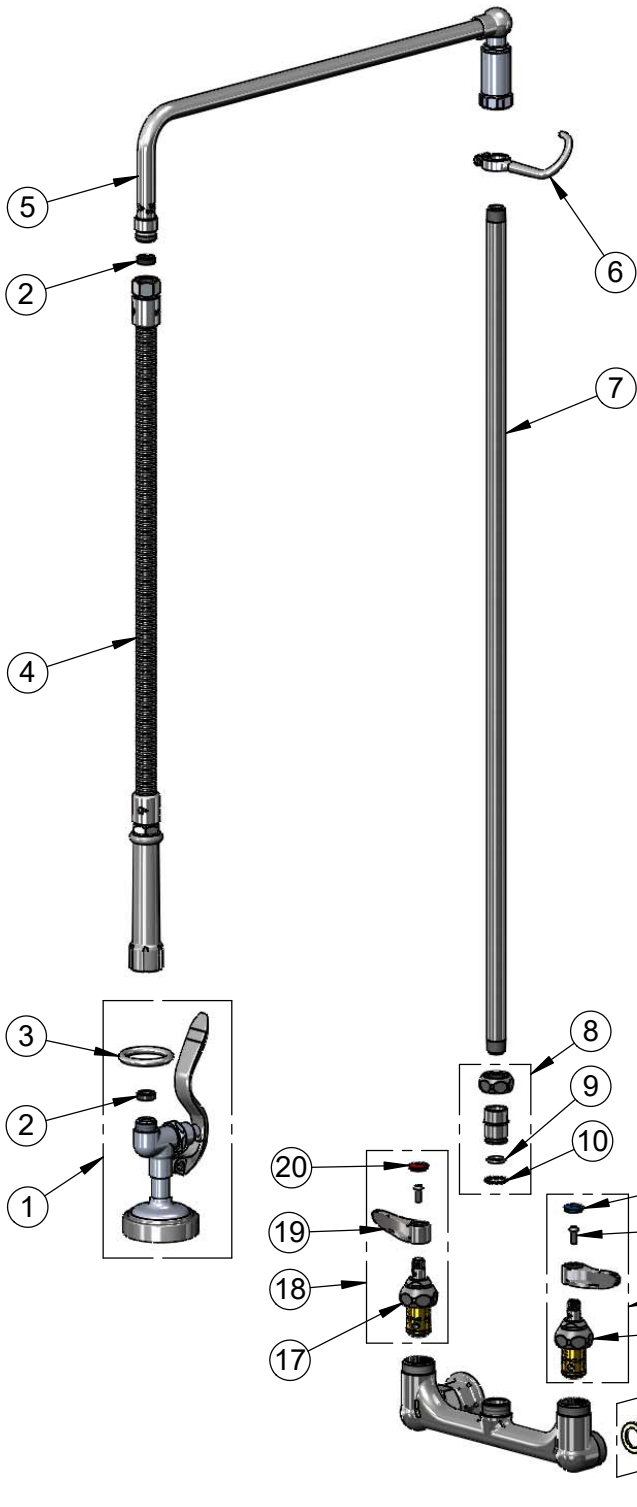
2 Saddleback Cove / P.O. Box 1088
Travelers Rest, SC 29690

Model No.

B-0132

Item No.

Travelers Rest, SC: 800-476-4103 • Simi Valley, CA: 800-423-0150 • Fax: 864-834-3518 • www.tsbrass.com



| ITEM NO. | SALES NO. | DESCRIPTION |
|----------|-------------|--|
| 1 | B-0107 | 1.15 GPM Spray Valve |
| 2 | 010476-45 | #27 Washer |
| 3 | 000907-45 | Spray Valve Hold Down Ring |
| 4 | B-0026-H | 26" Flexible Stainless Steel Hose |
| 5 | 002883-40 | 18" Swivel L-Tube |
| 6 | 004R | Finger Hook |
| 7 | 000376-40 | 3/8" NPT x 32" Riser |
| 8 | EZ-K | EasyInstall Kit |
| 9 | 001065-45 | O-Ring |
| 10 | 014200-45 | Star Washer, Anti-Rotation |
| 11 | 018506-19NS | Blue Button Index, Press-in |
| 12 | 000925-45 | Lab Handle Screw |
| 13 | 002711-40NS | Quarter-Turn Eterna Cartridge w/ Spring Check, Handle, Blue Index & Screw, LTC |
| 14 | 012442-40NS | Quarter-Turn Eterna Cartridge w/ Spring Check, LTC |
| 15 | 00AA | 1/2" NPT Female Eccentric Flange |
| 16 | 001019-45 | Coupling Nut Washer |
| 17 | 012443-40NS | Quarter-Turn Eterna Cartridge w/ Spring Check, RTC |
| 18 | 002712-40NS | Quarter-Turn Eterna Cartridge w/ Spring Check, Handle, Red Index & Screw, RTC |
| 19 | 001638-45NS | Lever Handle (New Style) |
| 20 | 001193-19NS | Red Button Index, Press-in |

Product Specifications:

Pre-Rinse Unit: 8" Wall Mount Mixing Faucet, Quarter-Turn Eterna Cartridges w/ Spring Checks, Lever Handles, Overhead Swivel Arm, 26" Flexible Stainless Steel Hose w/ 1.15 GPM Spray Valve, 6" Wall Bracket & 1/2" NPT Female Inlets

Product Compliance:

ASME A112.18.1 / CSA B125.1
NSF 61 - Section 9
NSF 372 (Low Lead Content)
2019 DOE PRSV - Class II