



ADA Compliant

This Space for Architect/Engineer Approval

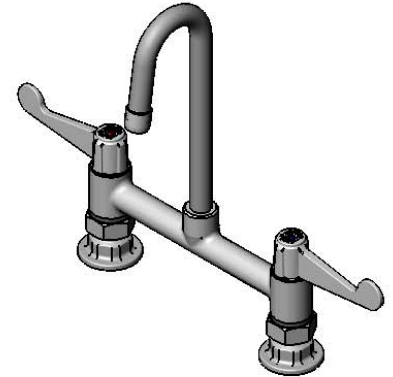
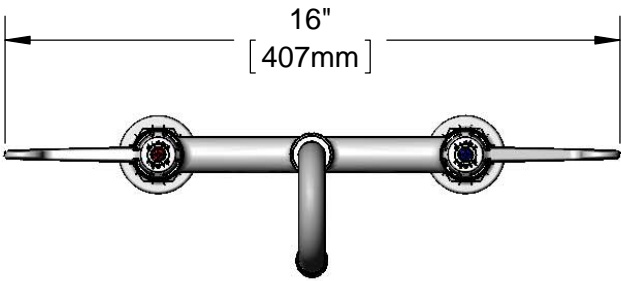
Job Name _____ Date _____

Model Specified _____ Quantity _____

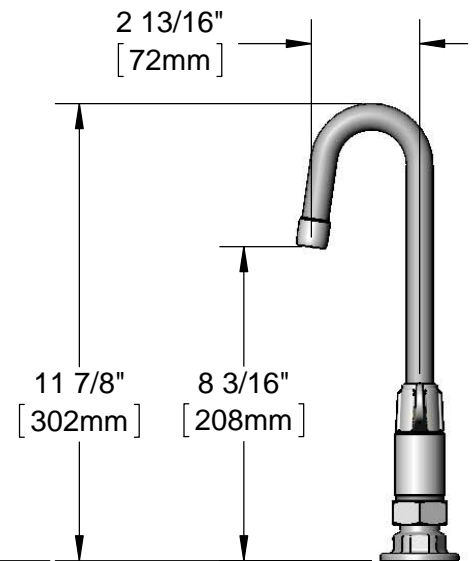
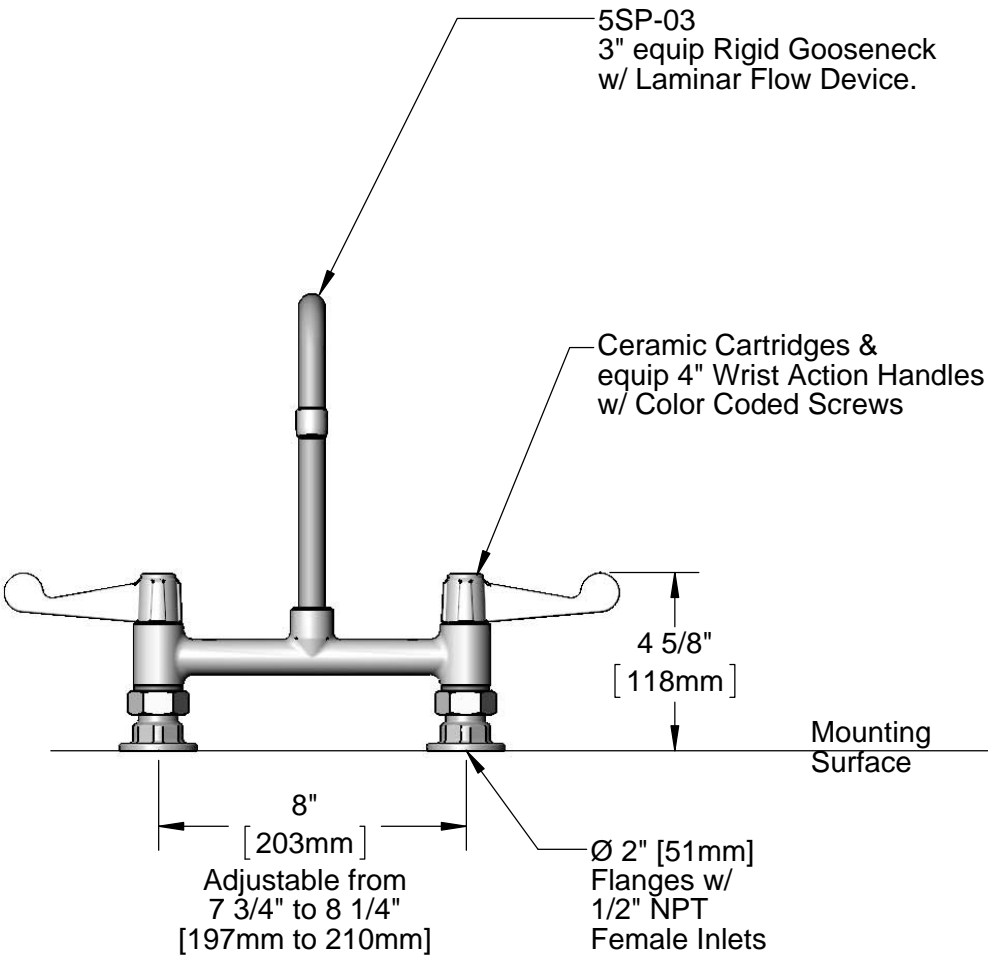
Customer/Wholesaler _____

Contractor _____

Architect/Engineer _____



5SP-03
3" equip Rigid Gooseneck
w/ Laminar Flow Device.



Rough-In Requirement:
(2) ϕ 1" [25mm] Mounting Holes

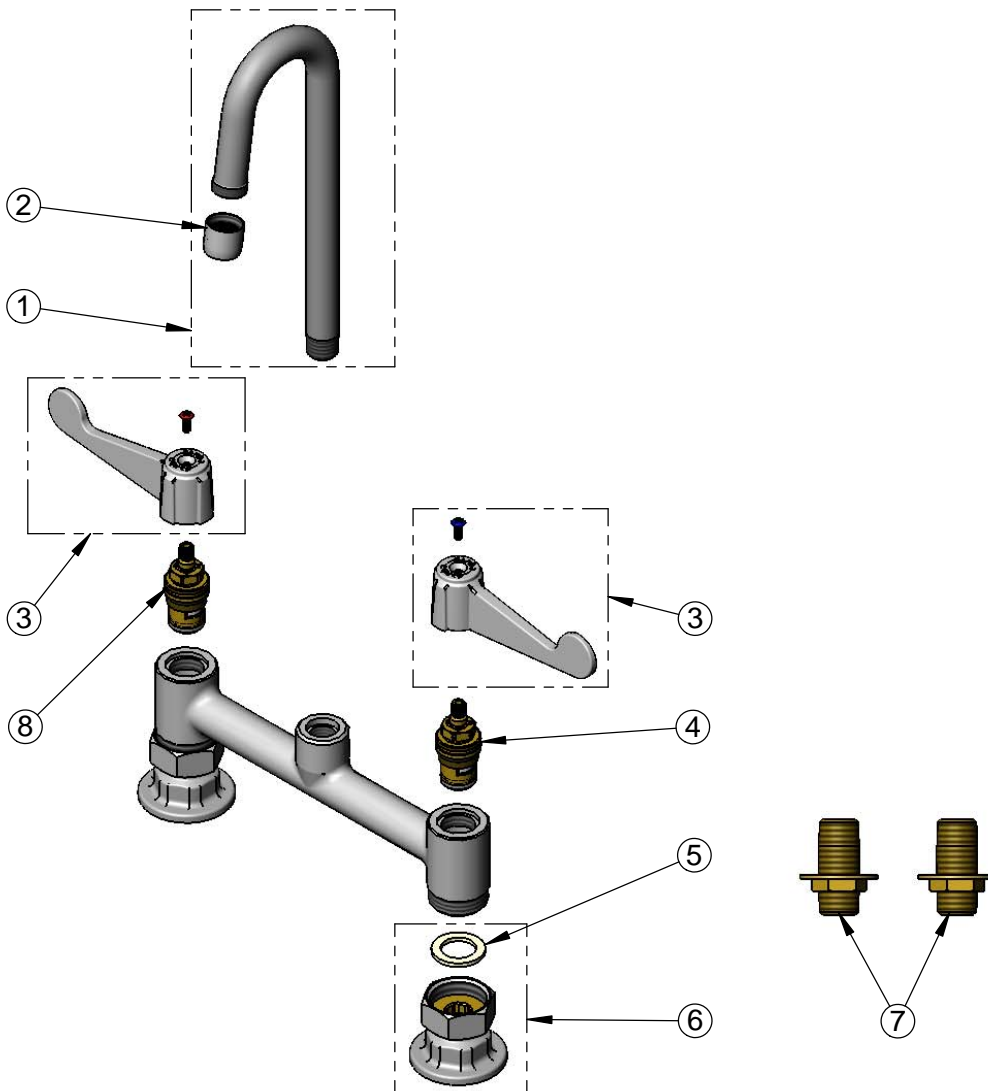
Model Number 5F-8DWS03	Date 12/09/13	Scale 1:5	Drawn DHL	Checked DMH	Approved JHB
---------------------------	------------------	--------------	--------------	----------------	-----------------

Product Specifications:
**8" Deck Mount Mixing Faucet w/ Ceramic Cartridges,
equip 4" Wrist Action Handles, 3" equip Rigid Gooseneck
& 1/2" NPT Supply Nipple Kit**



equip Foodservice Accessories
2 Saddleback Cove, P.O. Box 1088
Travelers Rest, South Carolina 29690
Phone: 800.891.4808 Fax: 800.868.0084

ITEM NO.	SALES NO.	DESCRIPTION
1	5SP-03	3" equip Rigid Gooseneck
2	014250-45	Laminar Flow Device
3	5-HDL-W	equip 4" Wrist Action Handle w/ Color Coded Screws
4	013788-45	equip Ceramic Cartridge, LTC
5	001019-45	Coupling Nut Washer
6	00AA	1/2" NPT Female Eccentric Flange
7	B-0425-M	1/2" NPT Supply Nipple Kit (2)
8	013787-45	equip Ceramic Cartridge, RTC



Model Number
5F-8DWS03

Date
12/09/13

Scale
1:4

Drawn
DHL

Checked
DMH

Approved
JHB



Product Specifications:

**8" Deck Mount Mixing Faucet w/ Ceramic Cartridges,
equip 4" Wrist Action Handles, 3" equip Rigid Gooseneck
& 1/2" NPT Supply Nipple Kit**

equip Foodservice Accessories
2 Saddleback Cove, P.O. Box 1088
Travelers Rest, South Carolina 29690
Phone: 800.891.4808 Fax: 800.868.0084