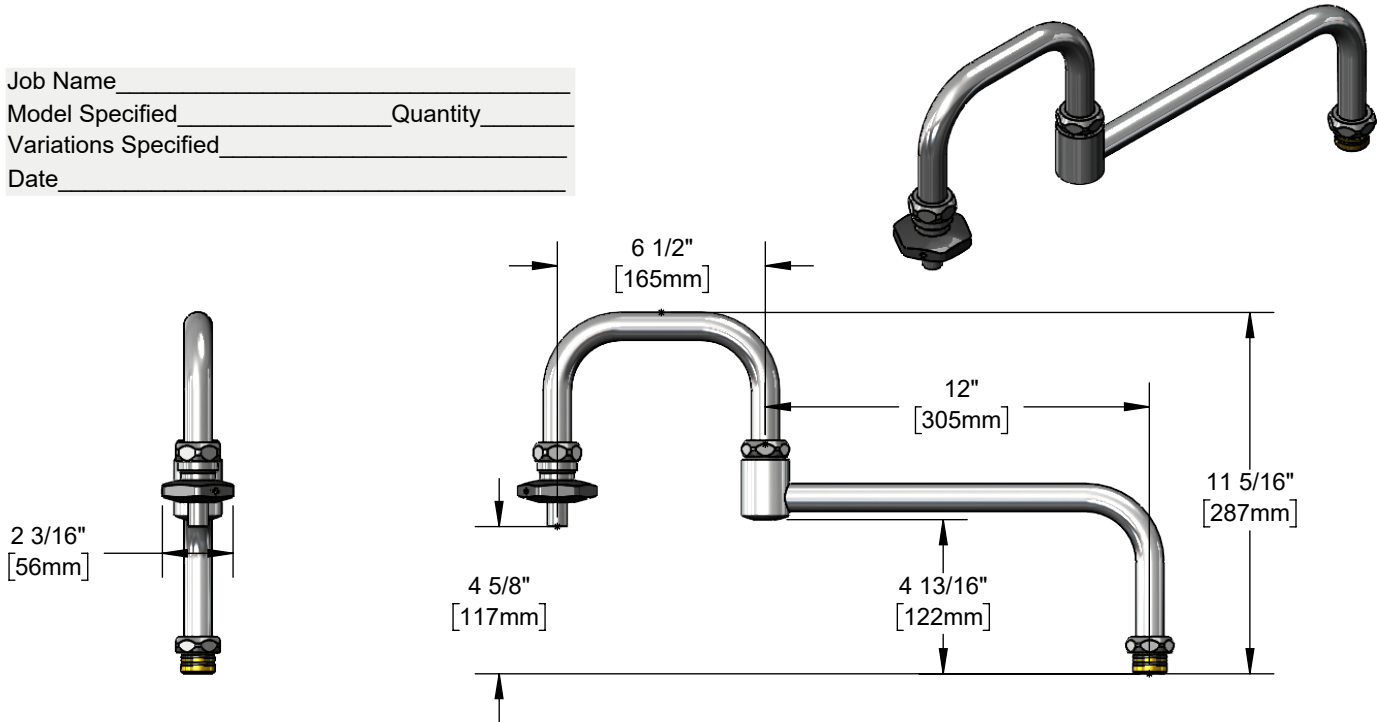




Architect/Engineering Specifications:

18 1/2" large flow double joint swing nozzle with chrome plated brass body and on-off volume control outlet with insulated grip. Certified to ASME A112.18.1/CSA B125.1, NSF 61-Section 9 and NSF 372.

Job Name _____
Model Specified _____ Quantity _____
Variations Specified _____
Date _____



Features & Benefits:

- 18 1/2" Big-Flo double joint swing nozzle
- Fits any standard Big-Flo T&S swivel outlet faucet
- On-off volume control outlet with insulated grip
- Material: chrome plated brass

Product Compliance:

- ASME A112.18.1 / CSA B125.1
- NSF 61 - Section 9
- NSF 372 (Low Lead Content)



Warranty: One Year (Limited)

Performance Data:

- Pressure: 20 - 125 psi [1.38 - 8.62 bar]
 - Temperature: 40°F - 140°F [4.44°C - 60°C]
 - Flow Rate: 25.5 GPM [96.53 L/min] @ 60 psi [4.14 bar]
- (Outlet Device &/or Final Configuration May Reduce Flow Rate)

