



T&S BRASS AND BRONZE WORKS, INC.

2 Saddleback Cove / P.O. Box 1088
Travelers Rest, SC 29690

Model No.

B-0175-05

Item No.

Travelers Rest, SC: 800-476-4103 • Simi Valley, CA: 800-423-0150 • Fax: 864-834-3518 • www.tsbrass.com

This Space for Architect/Engineer Approval

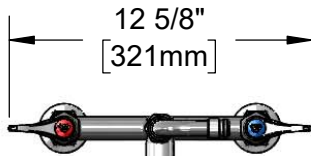
Job Name _____ Date _____

Model Specified _____ Quantity _____

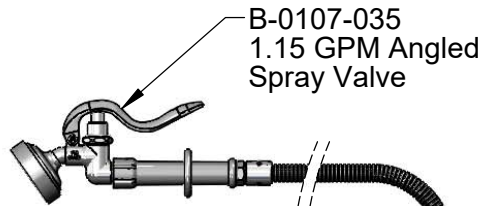
Customer/Wholesaler _____

Contractor _____

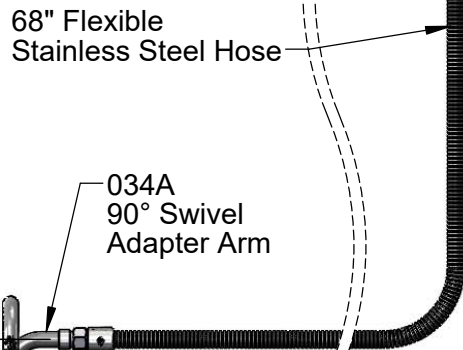
Architect/Engineer _____



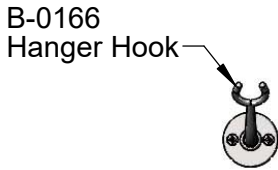
060X
8" Swing Nozzle w/
Stream Regulator Outlet



B-0107-035
1.15 GPM Angled
Spray Valve

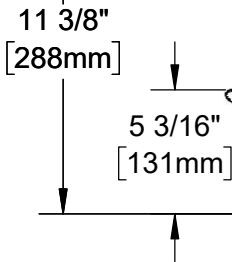


68" Flexible
Stainless Steel Hose



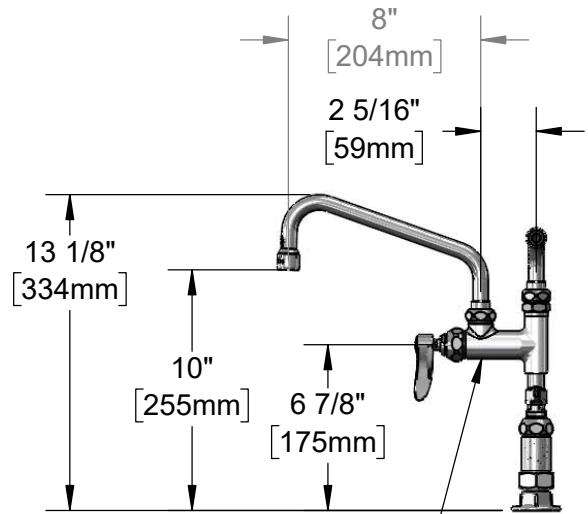
B-0166
Hanger Hook

034A
90° Swivel
Adapter Arm



Quarter-Turn
Eterna Cartridges
w/ Spring Checks
& Lever Handles
w/ Color Coded
Indexes

8" [203mm]
Adjustable From
7 3/4" to 8 1/4"
[197mm to 210mm]
Ø2" [51mm]
Flanges w/
1/2" NPT
Female Inlets



EasyInstall Add-On
Faucet w/ Quarter-Turn
Eterna Cartridge &
Lever Handle

Product Specifications:

8" Deck Mount Mixing Faucet, Quarter-Turn Eterna Cartridges w/ Spring Checks, Lever Handles, 68" Flexible Stainless Steel Hose, 1.15 GPM Angled Spray Valve, Add-On Faucet w/ 8" Swing Nozzle, 90° Swivel Adapter Arm, Wall Hook & 1/2" NPT Female Inlets

Product Compliance:

ASME A112.18.1 / CSA B125.1
NSF 61 - Section 9
NSF 372 (Low Lead Content)
2019 DOE PRSV - Class II



T&S BRASS AND BRONZE WORKS, INC.

2 Saddleback Cove / P.O. Box 1088
Travelers Rest, SC 29690

Model No.

B-0175-05

Item No.

Travelers Rest, SC: 800-476-4103 • Simi Valley, CA: 800-423-0150 • Fax: 864-834-3518 • www.tsbrass.com

	ITEM NO.	SALES NO.	DESCRIPTION
	1	B-0107-035	1.15 GPM Angled Spray Valve
	2	010476-45	#27 Washer
	3	000907-45	Spray Valve Hold Down Ring
	4	B-0068-H	68" Flexible Stainless Steel Hose w/ Handle
	5	034A	90° Swivel Adapter Arm
	6	009538-45	Swivel Washer
	7	011429-45	Swivel Sleeves (2)
	8	001074-45	O-Ring
	9	B-0412	Rigid to Swivel Adapter
	10	B-0155-LNEZ	Add-On Faucet w/ Quarter-Turn Eterna Cartridge, RTC & Lever Handle, Less Nozzle
	11	EZ-K	EasyInstall Kit
	12	001065-45	O-Ring
	13	014200-45	Star Washer, Anti-Rotation
	14	018506-19NS	Blue Button Index, Press-in
	15	000925-45	Lab Handle Screw
	16	002711-40NS	Quarter-Turn Eterna Cartridge w/ Spring Check, Handle, Blue Index & Screw, LTC
	17	012442-40NS	Quarter-Turn Eterna Cartridge w/ Spring Check, LTC
	18	001019-45	Coupling Nut Washer
	19	00AA	1/2" NPT Female Eccentric Flange
	20	012443-40NS	Quarter-Turn Eterna Cartridge w/ Spring Check, RTC
	21	002712-40NS	Quarter-Turn Eterna Cartridge w/ Spring Check, Handle, Red Index & Screw, RTC
	22	001638-45NS	Lever Handle (New Style)
	23	001193-19NS	Red Button Index, Press-in
	24	B-PT	Full Flow Stream Regulator, 55/64-27
	25	060X	8" Swing Nozzle
	26	B-0166	Hanger Hook

Product Specifications:
8" Deck Mount Mixing Faucet, Quarter-Turn Eterna Cartridges w/ Spring Checks, Lever Handles, 68" Flexible Stainless Steel Hose, 1.15 GPM Angled Spray Valve, Add-On Faucet w/ 8" Swing Nozzle, 90° Swivel Adapter Arm, Wall Hook & 1/2" NPT Female Inlets

Product Compliance:
ASME A112.18.1 / CSA B125.1
NSF 61 - Section 9
NSF 372 (Low Lead Content)
2019 DOE PRSV - Class II