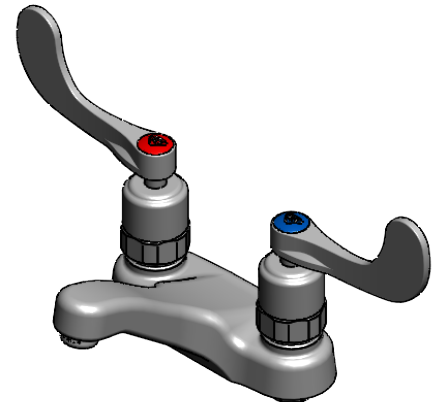
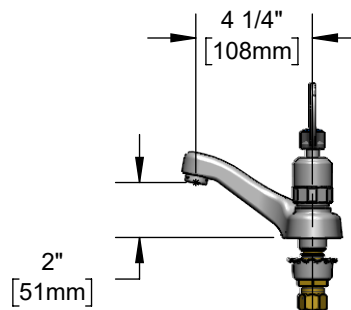
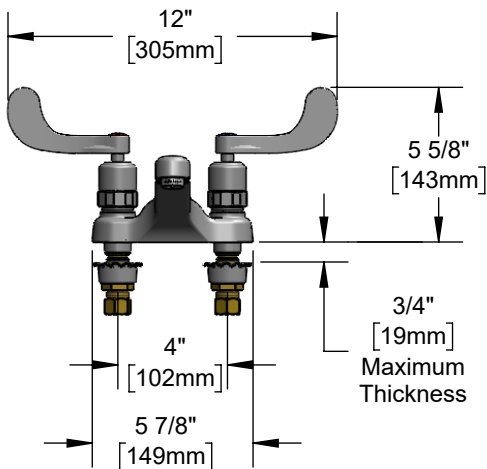




Architect/Engineering Specifications:

4" centerset deck mount mixing faucet with polished chrome plated cast brass body and integral spout, 2.2 GPM aerator, metering cartridges, 4" wrist action handles and 1/2" NPSM male inlets. Certified to ASME A112.18.1/CSA B125.1, NSF 61-Section 9 and NSF 372. Meets ADA ANSI/ICC A117.1 requirements.

Job Name _____
 Model Specified _____ Quantity _____
 Variations Specified _____
 Date _____



Features & Benefits:

- 4" centerset deck mount mixing faucet w/ polished chrome plated cast brass body and integral spout
- 2.2 GPM aerator, Series 3 (B-0199-03)
- 4" wrist action handles with color coded indexes
- Metering cartridges
- Adjustable metering cycle, 10 to 30 seconds
- 1/2" NPSM male inlets
- Material: Polished chrome plated brass body & spout and chrome plated metal handles

Product Compliance:

- ASME A112.18.1 / CSA B125.1
- NSF 61 - Section 9
- NSF 372 (Low Lead Content)
- ANSI A117.1 (ADA)



Warranty: One Year (Limited)

Performance Data:

- Pressure: 20 - 125 psi [1.38 - 8.62 bar]
- Temperature: 40°F - 140°F [4.44°C - 60°C]
- Flow Rate: 2.2 GPM [8.3 L/min] @ 60 psi [4.14 bar]
- Water Consumption: @10 sec = 0.37 gal [1.40 L]
@15 sec = 0.55 gal [2.08 L]



ADA Compliant

Optional Outlets (Series 3 / VR Series 8)

GPM	Aerated	Non-Aerated (Laminar)	VR Aerated
0.35	N/A	<input type="checkbox"/> B-0199-03-N035	N/A
0.5	N/A	<input type="checkbox"/> B-0199-03-N05	N/A
1.0	N/A	N/A	N/A
1.5	<input type="checkbox"/> B-0199-03-WS	N/A	<input type="checkbox"/> B-0199-08-WS
2.2	Standard	<input type="checkbox"/> B-0199-26	<input type="checkbox"/> B-0199-08

VR Non-Aerated (VR Laminar)
<input type="checkbox"/> B-0199-08-N035
<input type="checkbox"/> B-0199-08-N05
<input type="checkbox"/> B-0199-08-LF-10
N/A
<input type="checkbox"/> B-0199-28

Optional Cartridges

- Push Button Metering
- Pivot Action Metering
- Wrist Action Metering (Standard)

