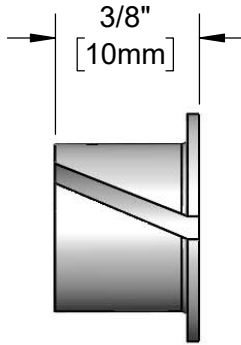
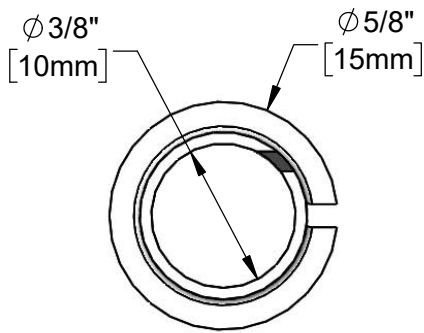
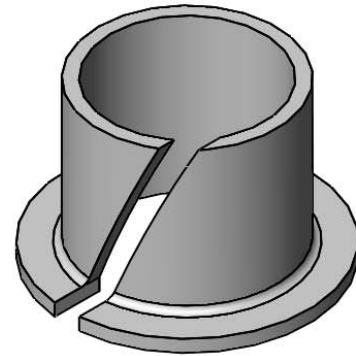




Architect/Engineering Specifications:

Nylon Bushing.

Job Name \_\_\_\_\_  
 Model Specified \_\_\_\_\_ Quantity \_\_\_\_\_  
 Variations Specified \_\_\_\_\_  
 Date \_\_\_\_\_



Features & Benefits:

- Nylon bushing
- Material: Nylon

Product Compliance:

- N/A

Warranty: One Year (Limited)

Performance Data:

- N/A

