



# T&S BRASS AND BRONZE WORKS, INC.

2 Saddleback Cove / P.O. Box 1088  
Travelers Rest, SC 29690

Model No.

**B-2865-05CR**

Item No.

Travelers Rest, SC: 800-476-4103 • Simi Valley, CA: 800-423-0150 • Fax: 864-834-3518 • www.tsbrass.com



**ADA Compliant**

This Space for Architect/Engineer Approval

Job Name \_\_\_\_\_ Date \_\_\_\_\_

Model Specified \_\_\_\_\_ Quantity \_\_\_\_\_

Customer/Wholesaler \_\_\_\_\_

Contractor \_\_\_\_\_

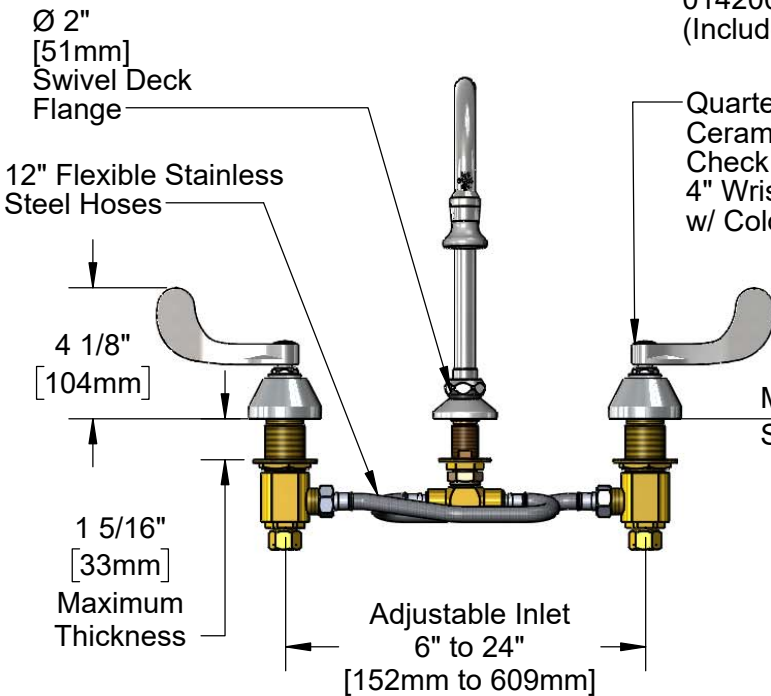
Architect/Engineer \_\_\_\_\_



Adjustable Handle Spread  
14" to 32"  
[356mm to 813mm]



Swivel Gooseneck w/  
B-0103-01  
2.2 GPM Rosespray Outlet.  
Rigid Conversion Requires  
014200-45 Lock Washer  
(Included)



Ø 2"  
[51mm]  
Swivel Deck  
Flange

12" Flexible Stainless  
Steel Hoses

4 1/8"  
[104mm]

1 5/16"  
[33mm]  
Maximum  
Thickness

Adjustable Inlet  
6" to 24"  
[152mm to 609mm]

Quarter-Turn  
Cerama Cartridges w/  
Check Valves &  
4" Wrist Action Handles  
w/ Color Coded Indexes

Mounting  
Surface

5 13/16"  
[147mm]

5 5/16"  
[135mm]

10 11/16"  
[271mm]

Ø 2 1/4"  
[57mm]  
Escutcheons

1/2" NPT Male Inlets  
w/ Coupling Nuts

### Rough-In Requirement:

Center Shank: Ø 1" [25mm] Mounting Hole

Hot/Cold Bodies: Ø 1 1/2" [38mm] Mounting Holes

### Product Specifications:

Adjustable Concealed Widespread Mixing Faucet, Quarter-Turn Cerama Cartridges w/ Check Valves, 4" Wrist Action Handles, Rigid/Swivel Gooseneck, 2.2 GPM Rosespray Outlet & 1/2" NPT Male Inlets

### Product Compliance:

ASME A112.18.1 / CSA B125.1  
NSF 61 - Section 9  
NSF 372 (Low Lead Content)  
ANSI A117.1 (ADA)

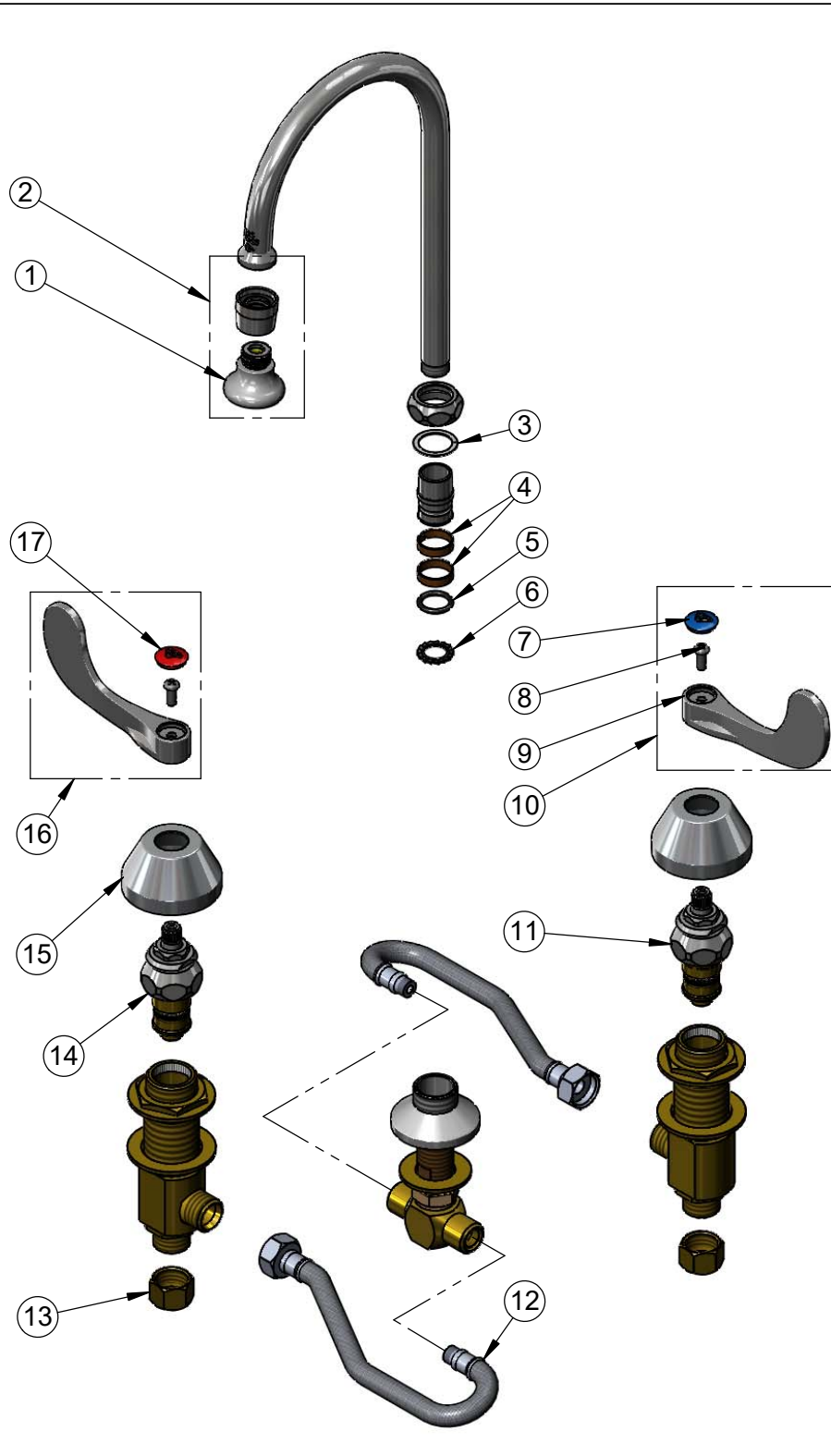


**T&S BRASS AND BRONZE WORKS, INC.**  
 2 Saddleback Cove / P.O. Box 1088  
 Travelers Rest, SC 29690

Model No.  
**B-2865-05CR**

Item No.

Travelers Rest, SC: 800-476-4103 • Simi Valley, CA: 800-423-0150 • Fax: 864-834-3518 • www.tsbrass.com



| ITEM NO. | SALES NO.   | DESCRIPTION   |
|----------|-------------|---|
| 1        | B-0103      | 2.2 GPM Rosespray, 3/8-18 NPT Male                    |
| 2        | B-0103-01   | 2.2 GPM Rosespray, 55/64-27 UN Female Adapter         |
| 3        | 009538-45   | Swivel Washer   |
| 4        | 011429-45   | Swivel Sleeves (2)                                    |
| 5        | 001074-45   | O-Ring  |
| 6        | 014200-45   | Star Washer, Anti-Rotation                            |
| 7        | 018506-19NS | Blue Button Index, Press-in                           |
| 8        | 000925-45   | Lab Handle Screw                                      |
| 9        | B-WH4-NS    | Wrist Action Handle - New Style                       |
| 10       | B-WH4C-NS   | Wrist Action Handle, Blue Index & Screw               |
| 11       | 011617-25NS | CWS Quarter-Turn Cerama Cartridge w/ Check Valve, LTC |
| 12       | 011649-45   | 12" Flexible Stainless Steel Hose (2)                 |
| 13       | 000958-20   | Coupling Nut  |
| 14       | 011616-25NS | CWS Quarter-Turn Cerama Cartridge w/ Check Valve, RTC |
| 15       | 001257-40NS | Bell Escutcheon                                       |
| 16       | B-WH4H-NS   | Wrist Action Handle, Red Index & Screw                |
| 17       | 001193-19NS | Red Button Index, Press-in                            |

**Product Specifications:**  
 Adjustable Concealed Widespread Mixing Faucet, Quarter-Turn Cerama Cartridges w/ Check Valves, 4" Wrist Action Handles, Rigid/Swivel Gooseneck, 2.2 GPM Rosespray Outlet & 1/2" NPT Male Inlets

**Product Compliance:**  
 ASME A112.18.1 / CSA B125.1  
 NSF 61 - Section 9  
 NSF 372 (Low Lead Content)  
 ANSI A117.1 (ADA)