



# T&S BRASS AND BRONZE WORKS, INC.

2 Saddleback Cove / P.O. Box 1088  
Travelers Rest, SC 29690

Model No.

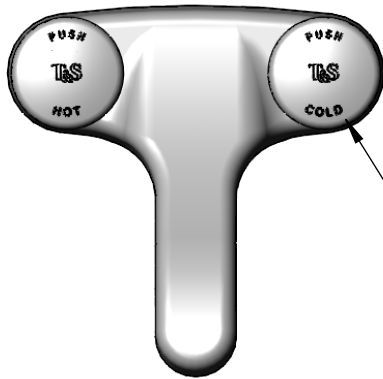
**B-0831-VR**

Item No.

Travelers Rest, SC: 800-476-4103 • Simi Valley, CA: 800-423-0150 • Fax: 864-834-3518 • www.tsbrass.com



**ADA Compliant**



Push Button Metering Cartridges w/ Hot & Cold Handles and Vandal Resistant Screws

This Space for Architect/Engineer Approval

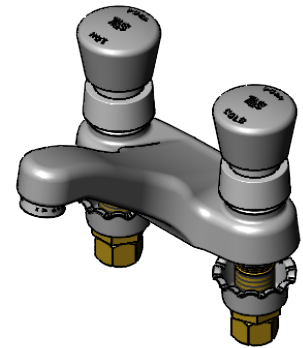
Job Name \_\_\_\_\_ Date \_\_\_\_\_

Model Specified \_\_\_\_\_ Quantity \_\_\_\_\_

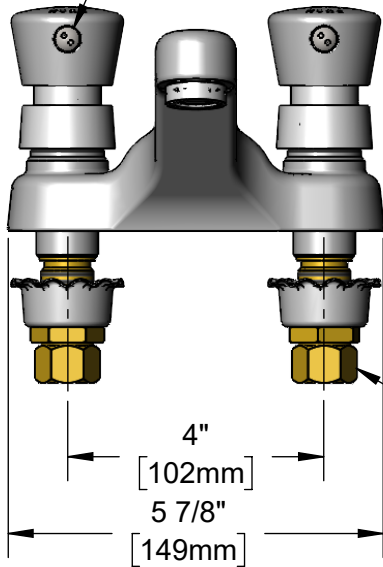
Customer/Wholesaler \_\_\_\_\_

Contractor \_\_\_\_\_

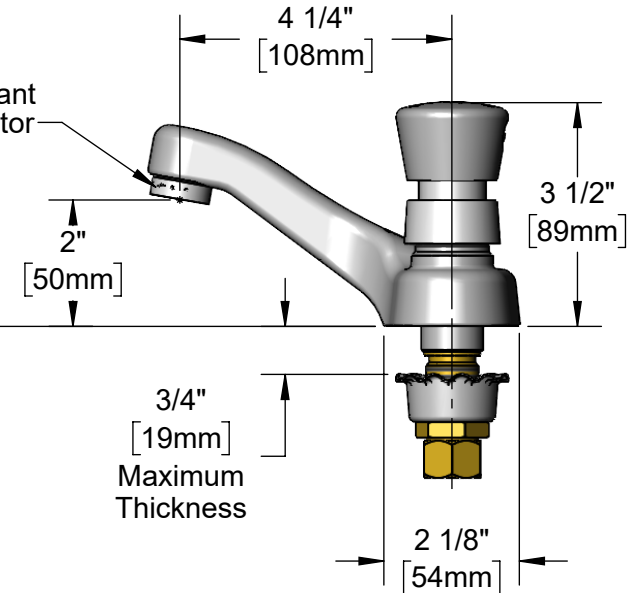
Architect/Engineer \_\_\_\_\_



Vandal Resistant Screw.  
Loosen Screw (Do Not Remove)  
and Pull Off Push Button Assembly  
to Access Metering Adjustment.  
(Metering Adjustment Requires  
3/32" Hex Key)



B-0199-08  
Vandal Resistant  
2.2 GPM Aerator



Mounting  
Surface

1/2" NPSM  
Male Inlets w/  
Coupling Nuts

Rough-In Requirement :

Ø 1 1/8" [Ø 29mm] Mounting Holes

**Product Specifications:**

4" Centerset Deck Mount Faucet, Push Button Metering Cartridges, 2.2 GPM Vandal Resistant Aerator & 1/2" NPSM Male Inlets w/ Coupling Nuts

**Product Compliance:**

ASME A112.18.1 / CSA B125.1  
NSF 61 - Section 9  
NSF 372 (Low Lead Content)  
ANSI A117.1 (ADA)



# T&S BRASS AND BRONZE WORKS, INC.

2 Saddleback Cove / P.O. Box 1088  
Travelers Rest, SC 29690

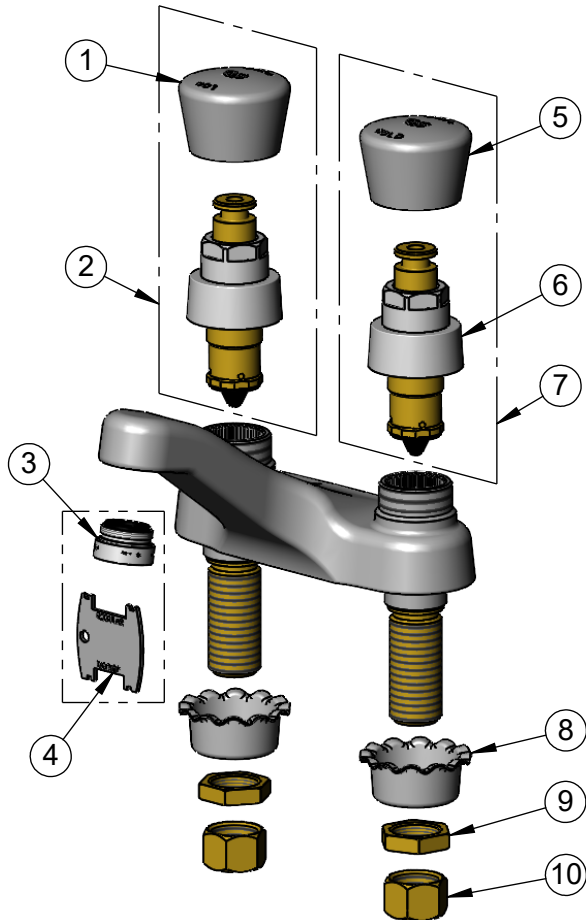
Model No.

**B-0831-VR**

Item No.

Travelers Rest, SC: 800-476-4103 • Simi Valley, CA: 800-423-0150 • Fax: 864-834-3518 • www.tsbrass.com

ITEM NO.	SALES NO.	DESCRIPTION
1	014194-40	Hot Push Button Cap w/ Spanner Bit
2	238AH	Metering Cartridge w/ Hot Push Button Cap & Spanner Bit
3	B-0199-08	VR 2.2 GPM Aerator, 13/16-27 UN Male w/ Key
4	015425-45	Vandal Resistant Key
5	014195-40	Cold Push Button Cap w/ Spanner Bit
6	238A	Push Button Metering Cartridge
7	238AC	Metering Cartridge w/ Cold Push Button Cap & Spanner Bit
8	001000-45	Rosette Washer
9	002954-45	Shank Lock Nut
10	000958-20	Coupling Nut



014734-45  
Spanner Bit

**Product Specifications:**

4" Centerset Deck Mount Faucet, Push Button Metering Cartridges, 2.2 GPM Vandal Resistant Aerator & 1/2" NPSM Male Inlets w/ Coupling Nuts

**Product Compliance:**

ASME A112.18.1 / CSA B125.1  
NSF 61 - Section 9  
NSF 372 (Low Lead Content)  
ANSI A117.1 (ADA)