



T&S BRASS AND BRONZE WORKS, INC.
 2 Saddleback Cove / P.O. Box 1088
 Travelers Rest, SC 29690

Model No.
B-2711-VF05-AM

Item No.

Travelers Rest, SC: 800-476-4103 • Simi Valley, CA: 800-423-0150 • Fax: 864-834-3518 • www.tsbrass.com



ADA Compliant

This Space for Architect/Engineer Approval

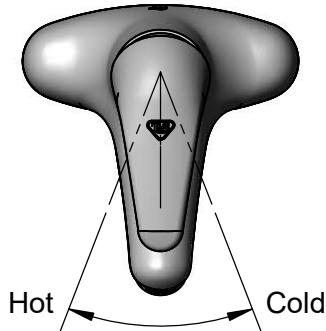
Job Name _____ Date _____

Model Specified _____ Quantity _____

Customer/Wholesaler _____

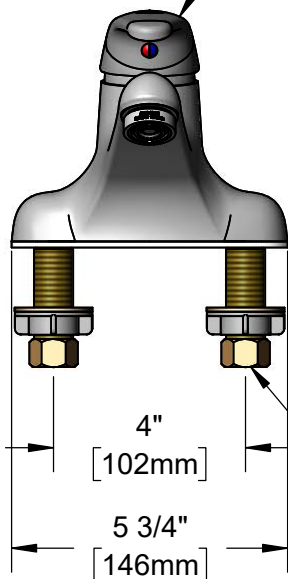
Contractor _____

Architect/Engineer _____



Single Lever Short Handle
 w/ Anti-Microbial Coating

B-0199-09-N05
 0.5 GPM Vandal Resistant
 Non-Aerated Spray Device



Mounting
 Surface
 1 3/8"
 [35mm]
 Maximum
 Thickness

1/2" NPSM Male Inlets
 w/ Coupling Nuts

4 13/16"
 [122mm]
 "OFF"

2 1/4"
 [57mm]

5 15/16"
 [150mm]
 "Full ON"

4"
 [102mm]

5 3/4"
 [146mm]

4 3/8"
 [112mm]

Rough-In Requirement:
 (2) ϕ 1" [25mm] Mounting Holes

Product Specifications:

4" Deck Mount Single Lever Faucet, Ceramic Cartridge, Single Short Handle w/ Anti-Microbial Coating, Temperature Limit Stop, 0.5 GPM VR Non-Aerated Spray Device & 1/2" NPSM Male Inlets

Product Compliance:

ASME A112.18.1 / CSA B125.1
 NSF 61 - Section 9
 NSF 372 (Low Lead Content)
 ANSI A117.1 (ADA)



T&S BRASS AND BRONZE WORKS, INC.

2 Saddleback Cove / P.O. Box 1088
Travelers Rest, SC 29690

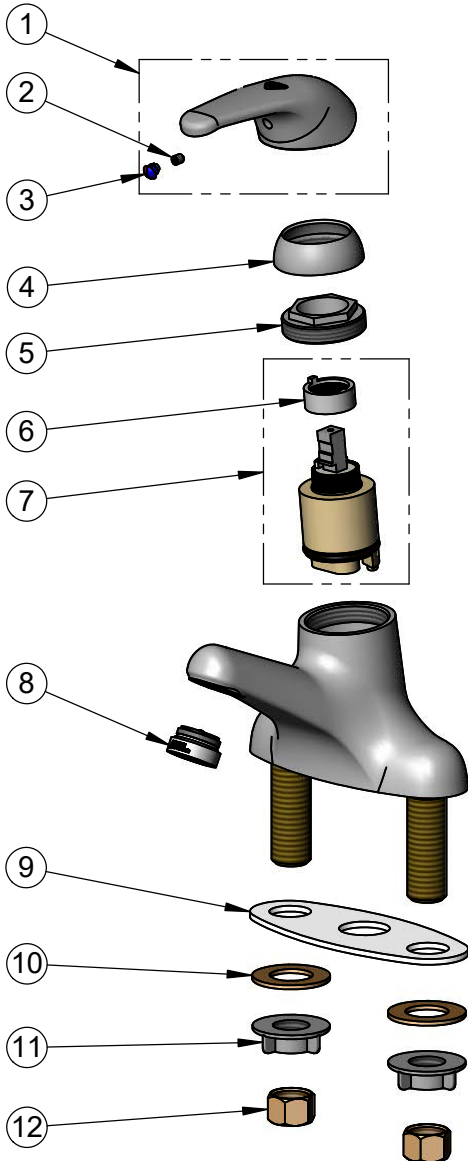
Model No.

B-2711-VF05-AM

Item No.

Travelers Rest, SC: 800-476-4103 • Simi Valley, CA: 800-423-0150 • Fax: 864-834-3518 • www.tsbrass.com

ITEM NO.	SALES NO.	DESCRIPTION
1	013113-45AM	Single Lever Short Handle w/ Anti-Microbial Coating
2	016675-45	Set Screw
3	014173-45	Index, Temperature
4	016661-45	Trim Ring
5	016663-45	Locking Nut
6	015400-45	Temperature Limit Stop
7	013111-45	Ceramic Cartridge w/ Temperature Limit Stop
8	B-0199-09-N05	0.5 GPM VR Spray Device, 15/16-27 Male w/ Key
9	014167-45	Deck Gasket
10	000999-45	Brass Lock Washer
11	016673-45	Shank Nut
12	000958-20	Coupling Nut



015425-45
Vandal Resistant Key

Product Specifications:

4" Deck Mount Single Lever Faucet, Ceramic Cartridge, Single Short Handle w/ Anti-Microbial Coating, Temperature Limit Stop, 0.5 GPM VR Non-Aerated Spray Device & 1/2" NPSM Male Inlets

Product Compliance:

ASME A112.18.1 / CSA B125.1
NSF 61 - Section 9
NSF 372 (Low Lead Content)
ANSI A117.1 (ADA)