



T&S BRASS AND BRONZE WORKS, INC.

2 Saddleback Cove / P.O. Box 1088
Travelers Rest, SC 29690

Model No.

B-0133-12-CRVBE

Item No.

Travelers Rest, SC: 800-476-4103 • Simi Valley, CA: 800-423-0150 • Fax: 864-834-3518 • www.tsbrass.com

This Space for Architect/Engineer Approval

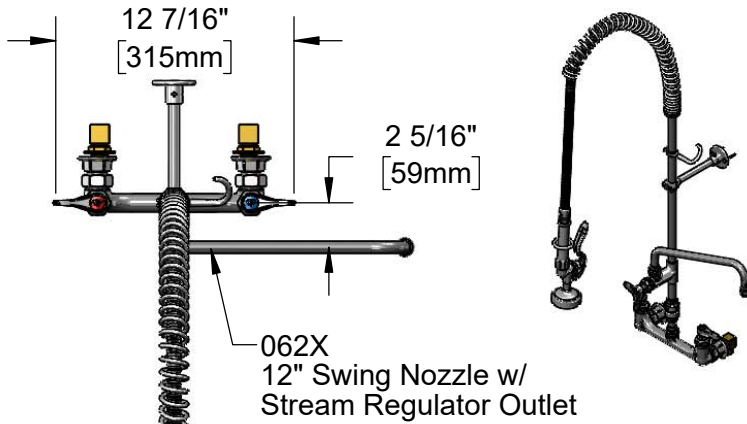
Job Name _____ Date _____

Model Specified _____ Quantity _____

Customer/Wholesaler _____

Contractor _____

Architect/Engineer _____



44" Flexible Stainless Steel Hose w/ Spring & Spray Valve

Items Not Shown for Clarity

3/8" NPT x 18" Riser
B-0970-FEZ Vacuum Breaker

EasyInstall Lock Nut & Bushing

3 11/16" [93mm]

8" [203mm]
Adjustable from 7 3/4" to 8 1/4" [197mm to 210mm]

Finger Hook

12" [305mm]

12 9/16" [319mm]

15 11/16" [398mm]

B-0107 1.15 GPM Spray Valve

11 5/8" [296mm]

Quarter-Turn Cerama Cartridges w/ Check Valves & Lever Handles w/ Color Coded Indexes

Rough-In Requirement:
(2) ϕ 1" [25mm] Mounting Holes

Product Specifications:

Pre-Rinse Unit: EasyInstall 8" Wall Mount Mixing Faucet, Quarter-Turn Cerama Cartridges w/ Check Valves, Lever Handles, Add-On Faucet w/ 12" Swing Nozzle, 18" Riser, 44" Flexible Stainless Steel Hose, 1.15 GPM Spray Valve, 6" Wall Bracket, Vacuum Breaker & Installation Kit w/ 1/2" NPT Male Inlets

Product Compliance:

ASME A112.18.1 / CSA B125.1
NSF 61 - Section 9
NSF 372 (Low Lead Content)
2019 DOE PRSV - Class II
CSA B64.8 (VB)



T&S BRASS AND BRONZE WORKS, INC.

2 Saddleback Cove / P.O. Box 1088
Travelers Rest, SC 29690

Model No.

B-0133-12-CRVBE

Item No.

Travelers Rest, SC: 800-476-4103 • Simi Valley, CA: 800-423-0150 • Fax: 864-834-3518 • www.tsbrass.com

	ITEM NO.	SALES NO.	DESCRIPTION
	1	B-0107	1.15 GPM Spray Valve
	2	010476-45	#27 Washer
	3	000907-45	Spray Valve Hold Down Ring
	4	002987-40	Grip Handle
	5	001014-45	Washer, B-0100 Hose Barrel
	6	B-0044-H2A	44" Flexible Stainless Steel Hose, Less Handle
	7	000888-45	EasyInstall Overhead Spring
	8	000821-40	Spring Body
	9	004R	Finger Hook
	10	B-0109-01	6" Wall Bracket
	11	000369-40	3/8" NPT x 18" Riser
	12	B-0156-CR	Add-On Faucet w/ Quarter-Turn Cerama Cartridge, RTC, Lever Handle & 12" Swing Nozzle
	13	B-0970-FEZ	3/8" NPT Vacuum Breaker
	14	014200-45	Star Washer, Anti-Rotation
	15	018506-19NS	Blue Button Index, Press-in
	16	000925-45	Lab Handle Screw
	17	012447-25NS	Quarter-Turn Cerama Cartridge, LTC w/ Check Valve, Handle, Index & Screw
	18	012395-25NS	Quarter-Turn Cerama Cartridge, LTC w/ Check Valve
	19	002954-45	Shank Lock Nut
	20	000999-45	Brass Lock Washer
	21	B-0230-K	Short Elbow Installation Kit
	22	00AA	1/2" NPT Female Eccentric Flange
	23	001019-45	Coupling Nut Washer
	24	012446-25NS	Quarter-Turn Cerama Cartridge, RTC w/ Check Valve, Handle, Index & Screw
	25	012394-25NS	Quarter-Turn Cerama Cartridge, RTC w/ Check Valve
	26	001638-45NS	Lever Handle (New Style)
	27	001193-19NS	Red Button Index, Press-in
	28	B-PT	Full Flow Stream Regulator, 55/64-27
	29	062X	12" Swing Nozzle w/ Stream Regulator Outlet

Product Specifications:
 Pre-Rinse Unit: EasyInstall 8" Wall Mount Mixing Faucet, Quarter-Turn Cerama Cartridges w/ Check Valves, Lever Handles, Add-On Faucet w/ 12" Swing Nozzle, 18" Riser, 44" Flexible Stainless Steel Hose, 1.15 GPM Spray Valve, 6" Wall Bracket, Vacuum Breaker & Installation Kit w/ 1/2" NPT Male Inlets

Product Compliance:
 ASME A112.18.1 / CSA B125.1
 NSF 61 - Section 9
 NSF 372 (Low Lead Content)
 2019 DOE PRSV - Class II
 CSA B64.8 (VB)