



**T&S BRASS AND BRONZE WORKS, INC.**  
 2 Saddleback Cove / P.O. Box 1088  
 Travelers Rest, SC 29690

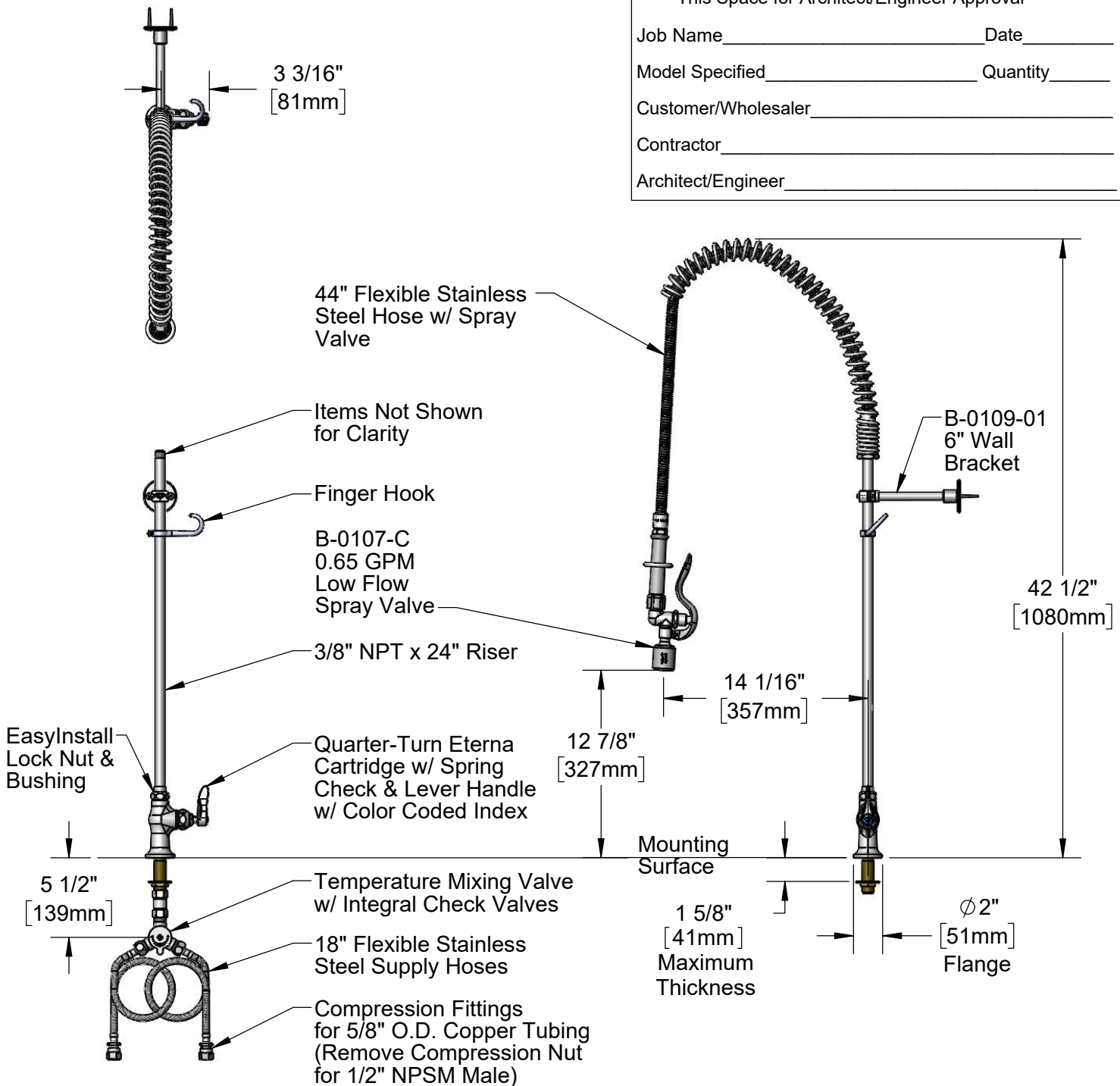
Model No.  
**B-0173-BC**

Item No.

Travelers Rest, SC: 800-476-4103 • Simi Valley, CA: 800-423-0150 • Fax: 864-834-3518 • www.tsbrass.com

This Space for Architect/Engineer Approval

Job Name \_\_\_\_\_ Date \_\_\_\_\_  
 Model Specified \_\_\_\_\_ Quantity \_\_\_\_\_  
 Customer/Wholesaler \_\_\_\_\_  
 Contractor \_\_\_\_\_  
 Architect/Engineer \_\_\_\_\_



Rough-In Requirement:  
 Ø1" [25mm] Mounting Hole

Product Specifications:

Pre-Rinse Unit: Single Hole, Single Temperature Deck Mount Faucet, Quarter-Turn Eterna Cartridge w/ Spring Check, 24" Riser, Overhead Spring, 44" Flexible Stainless Steel Hose, 0.65 GPM Low Flow Spray Valve, Temperature Control Mixing Valve w/ Check Valves, 6" Wall Bracket & 18" Flexible Stainless Steel Supply Hoses w/ 1/2" NPSM Male Inlets

Product Compliance:

ASME A112.18.1 / CSA B125.1  
 NSF 61 - Section 9  
 NSF 372 (Low Lead Content)  
 2019 DOE PRSV - Class I



# T&S BRASS AND BRONZE WORKS, INC.

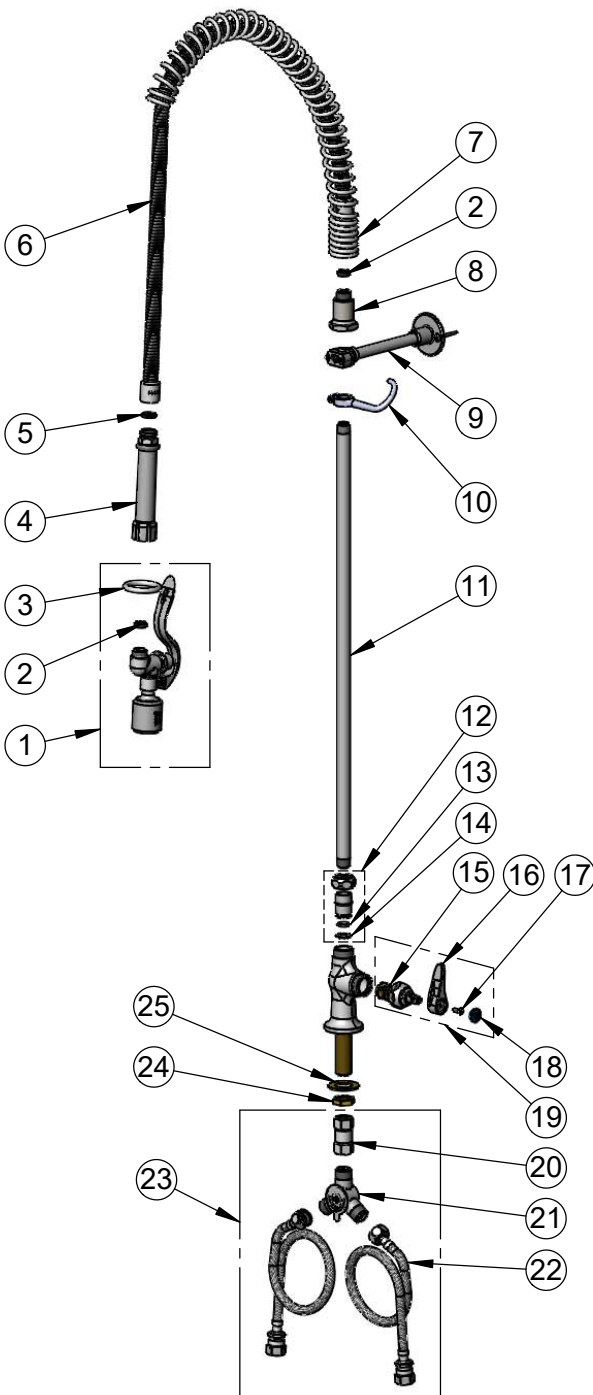
2 Saddleback Cove / P.O. Box 1088  
Travelers Rest, SC 29690

Model No.

**B-0173-BC**

Item No.

Travelers Rest, SC: 800-476-4103 • Simi Valley, CA: 800-423-0150 • Fax: 864-834-3518 • www.tsbrass.com



| ITEM NO. | SALES NO.   | DESCRIPTION   |
|----------|-------------|---|
| 1        | B-0107-C    | 0.65 GPM Low Flow Spray Valve   |
| 2        | 010476-45   | #27 Washer  |
| 3        | 000907-45   | Spray Valve Hold Down Ring  |
| 4        | 002987-40   | Grip Handle   |
| 5        | 001014-45   | Washer, Hose Barrel   |
| 6        | B-0044-H2A  | 44" Flexible Stainless Steel Hose, Less Handle                                |
| 7        | 000888-45   | EasyInstall Overhead Spring   |
| 8        | 000821-40   | Spring Body   |
| 9        | B-0109-01   | 6" Wall Bracket   |
| 10       | 004R        | Finger Hook   |
| 11       | 000375-40   | 3/8" NPT x 24" Riser  |
| 12       | EZ-K        | EasyInstall Kit   |
| 13       | 001065-45   | O-Ring  |
| 14       | 014200-45   | Star Washer, Anti-Rotation  |
| 15       | 012443-40NS | Quarter-Turn Eterna Cartridge w/ Spring Check, RTC                            |
| 16       | 001638-45NS | Lever Handle (New Style)  |
| 17       | 000925-45   | Lab Handle Screw  |
| 18       | 018506-19NS | Blue Button Index, Press-in   |
| 19       | 019639-40   | Quarter-Turn Eterna Cartridge RTC w/ Spring Check, Handle, Blue Index & Screw |
| 20       | 017506-45   | 1/2" NPSM Swivel Coupling   |
| 21       | 5EF-0006    | Mechanical, Mixing Valve  |
| 22       | 019192-45   | Flexible Connector Hose (2)   |
| 23       | 019321-40   | Temperature Control Mixing Valve w/ Flexible 1/2" NPSM Male Inlets            |
| 24       | 002954-45   | Shank Lock Nut  |
| 25       | 000999-45   | Brass Lock Washer   |

**Product Specifications:**

Pre-Rinse Unit: Single Hole, Single Temperature Deck Mount Faucet, Quarter-Turn Eterna Cartridge w/ Spring Check, 24" Riser, Overhead Spring, 44" Flexible Stainless Steel Hose, 0.65 GPM Low Flow Spray Valve, Temperature Control Mixing Valve w/ Check Valves, 6" Wall Bracket & 18" Flexible Stainless Steel Supply Hoses w/ 1/2" NPSM Male Inlets

**Product Compliance:**

ASME A112.18.1 / CSA B125.1  
NSF 61 - Section 9  
NSF 372 (Low Lead Content)  
2019 DOE PRSV - Class I