



**T&S BRASS AND BRONZE WORKS, INC.**  
 2 Saddleback Cove / P.O. Box 1088  
 Travelers Rest, SC 29690

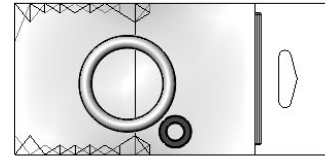
Model No.  
**B-0100-C**

Item No.

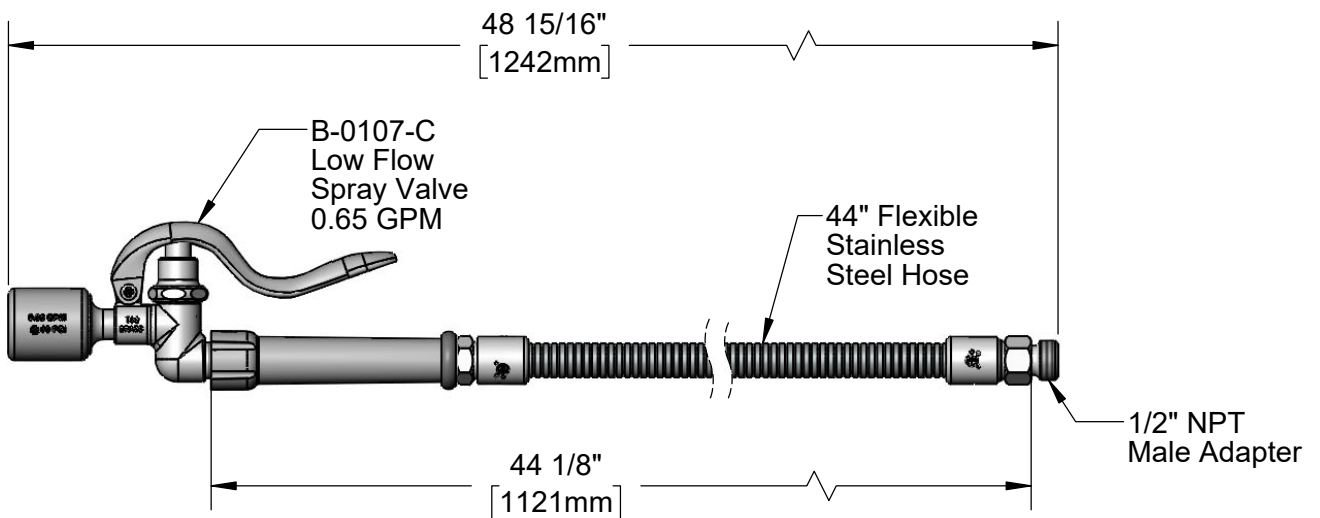
Travelers Rest, SC: 800-476-4103 • Simi Valley, CA: 800-423-0150 • Fax: 864-834-3518 • www.tsbrass.com

This Space for Architect/Engineer Approval

Job Name \_\_\_\_\_ Date \_\_\_\_\_  
 Model Specified \_\_\_\_\_ Quantity \_\_\_\_\_  
 Customer/Wholesaler \_\_\_\_\_  
 Contractor \_\_\_\_\_  
 Architect/Engineer \_\_\_\_\_



Hold Down Ring  
 & Washer  
 (Included)



Product Specifications:  
**0.65 GPM Low Flow Spray Valve w/ 44" Flexible Stainless Steel  
 Hose & Adapter**

Product Compliance:  
 ASME A112.18.1 / CSA B125.1  
 NSF 61 - Section 9  
 NSF 372 (Low Lead Content)  
 2019 DOE PRSV - Class I



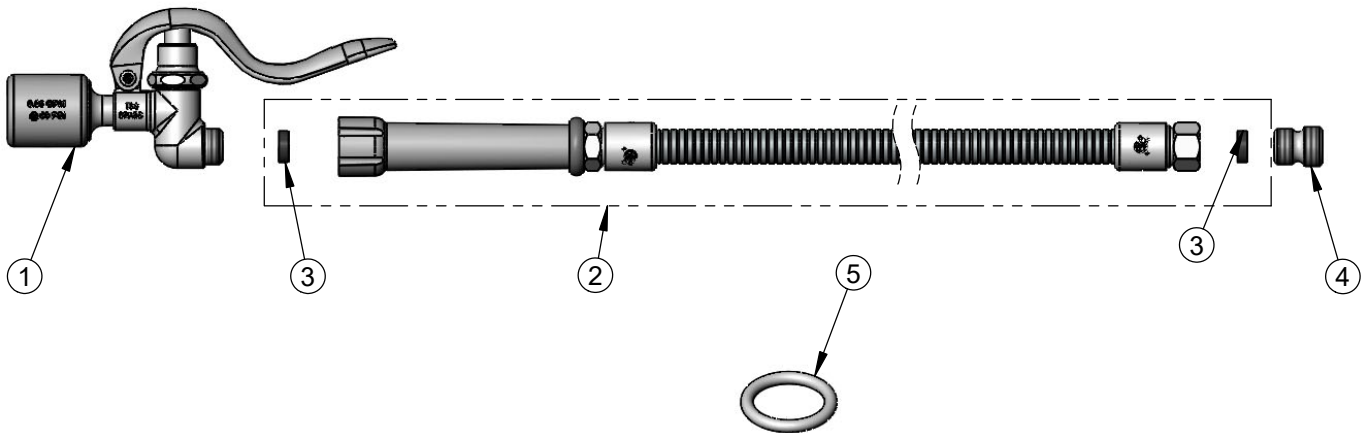
**T&S BRASS AND BRONZE WORKS, INC.**  
 2 Saddleback Cove / P.O. Box 1088  
 Travelers Rest, SC 29690

Model No.  
**B-0100-C**

Item No.

Travelers Rest, SC: 800-476-4103 • Simi Valley, CA: 800-423-0150 • Fax: 864-834-3518 • www.tsbrass.com

ITEM NO.	SALES NO.	DESCRIPTION
1	B-0107-C	0.65 GPM Low Flow Spray Valve
2	B-0044-H	44" Stainless Steel Flex Hose
3	010476-45	#27 Washer
4	055A	Adapter, 1/2 NPT Male
5	000907-45	Spray Valve Hold Down Ring



Product Specifications:  
 0.65 GPM Low Flow Spray Valve w/ 44" Flexible Stainless Steel  
 Hose & Adapter

Product Compliance:  
 ASME A112.18.1 / CSA B125.1  
 NSF 61 - Section 9  
 NSF 372 (Low Lead Content)  
 2019 DOE PRSV - Class I