



T&S BRASS AND BRONZE WORKS, INC.
 2 Saddleback Cove / P.O. Box 1088
 Travelers Rest, SC 29690

Model No.
010255-40

Item No.

Travelers Rest, SC: 800-476-4103 • Simi Valley, CA: 800-423-0150 • Fax: 864-834-3518 • www.tsbrass.com



ADA Compliant

This Space for Architect/Engineer Approval

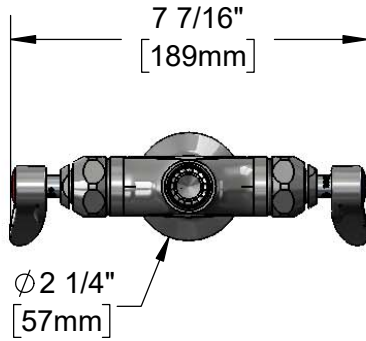
Job Name _____ Date _____

Model Specified _____ Quantity _____

Customer/Wholesaler _____

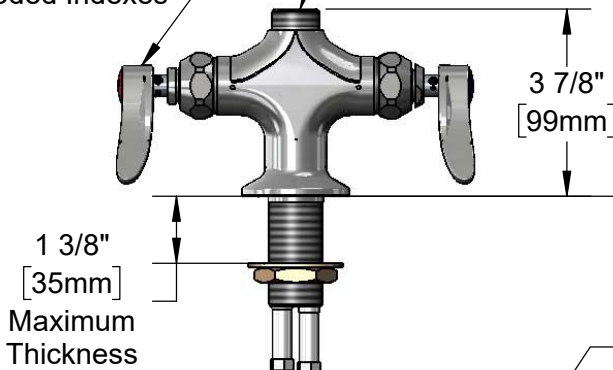
Contractor _____

Architect/Engineer _____

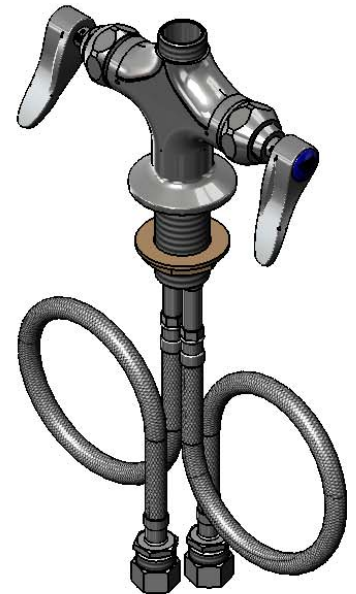


Quarter-Turn
 Eterna Cartridges w/
 Spring Checks &
 Lever Handles w/
 Color Coded Indexes

Swivel Outlet Accepts
 Standard T&S Swing
 Nozzles Rigid Conversion Requires
 014200-45 Lock Washer
 (Included)

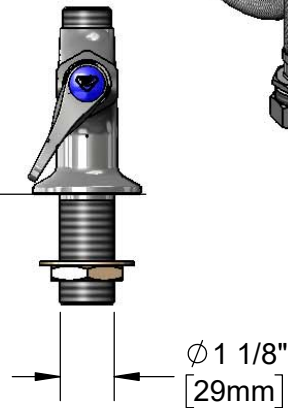


Mounting
 Surface



1 3/8"
 [35mm]
 Maximum
 Thickness

18" Flexible
 Stainless Steel
 Supply Hoses



Compression Fittings
 for 5/8" O.D. Copper Tubing
 (Remove Compression Nut
 for 1/2" NPSM Male)

Rough-In Requirement:
 Ø 1 1/2" [38mm] Mounting Hole

Product Specifications:

Single Hole Deck Mount Mixing Faucet, Quarter-Turn Eterna Cartridges w/
 Spring Checks, Lever Handles & 18" Flexible Stainless Steel
 Supply Hoses w/ 1/2" NPSM Male Inlets, Less Nozzle

Product Compliance:

ASME A112.18.1 / CSA B125.1
 NSF 61 - Section 9
 NSF 372 (Low Lead Content)
 ANSI A11721 (ADA)



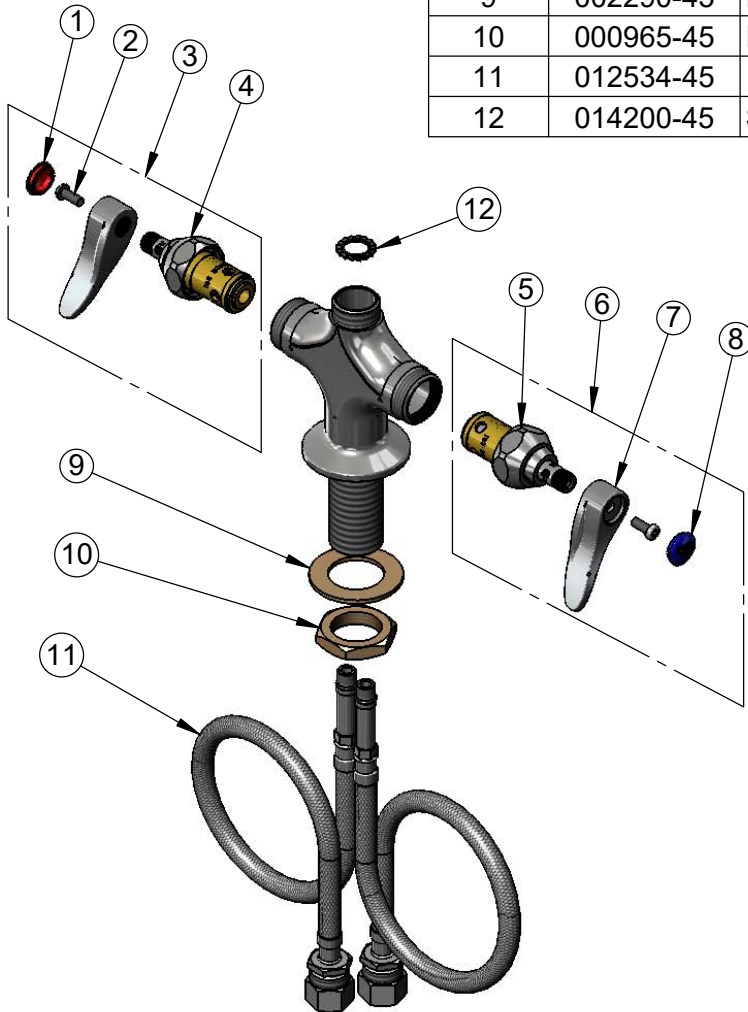
T&S BRASS AND BRONZE WORKS, INC.
 2 Saddleback Cove / P.O. Box 1088
 Travelers Rest, SC 29690

Model No.
010255-40

Item No.

Travelers Rest, SC: 800-476-4103 • Simi Valley, CA: 800-423-0150 • Fax: 864-834-3518 • www.tsbrass.com

| ITEM NO. | SALES NO. | DESCRIPTION |
|----------|-------------|--|
| 1 | 001193-19NS | Red Button Index, Press-in |
| 2 | 000925-45 | Lab Handle Screw |
| 3 | 002712-40NS | Quarter-Turn Eterna Cartridge w/ Spring Check, Handle, Red Index & Screw, RTC |
| 4 | 012443-40NS | Quarter-Turn Eterna Cartridge w/ Spring Check, RTC |
| 5 | 012442-40NS | Quarter-Turn Eterna Cartridge w/ Spring Check, LTC |
| 6 | 002711-40NS | Quarter-Turn Eterna Cartridge w/ Spring Check, Handle, Blue Index & Screw, LTC |
| 7 | 001638-45NS | Lever Handle (New Style) |
| 8 | 018506-19NS | Blue Button Index, Press-in |
| 9 | 002290-45 | Lock Washer |
| 10 | 000965-45 | Lock Nut |
| 11 | 012534-45 | 18" Flexible Connector Hose |
| 12 | 014200-45 | Star Washer, Anti-Rotation |



Product Specifications:
 Single Hole Deck Mount Mixing Faucet, Quarter-Turn Eterna Cartridges w/ Spring Checks, Lever Handles & 18" Flexible Stainless Steel Supply Hoses w/ 1/2" NPSM Male Inlets, Less Nozzle

Product Compliance:
 ASME A112.18.1 / CSA B125.1
 NSF 61 - Section 9
 NSF 372 (Low Lead Content)
 ANSI A11721 (ADA)