



**T&S BRASS AND BRONZE WORKS, INC.**  
 2 Saddleback Cove / P.O. Box 1088  
 Travelers Rest, SC 29690

Model No.

**B-7232-01-STB**

Item No.

Travelers Rest, SC: 800-476-4103 • Simi Valley, CA: 800-423-0150 • Fax: 864-834-3518 • www.tsbrass.com

This Space for Architect/Engineer Approval

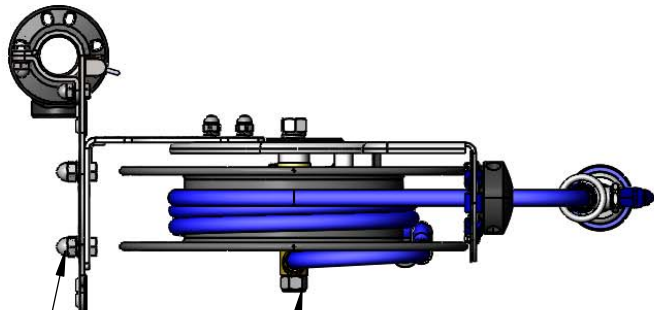
Job Name \_\_\_\_\_ Date \_\_\_\_\_

Model Specified \_\_\_\_\_ Quantity \_\_\_\_\_

Customer/Wholesaler \_\_\_\_\_

Contractor \_\_\_\_\_

Architect/Engineer \_\_\_\_\_



3/8" NPT Female Inlet  
(Left Side of Reel)

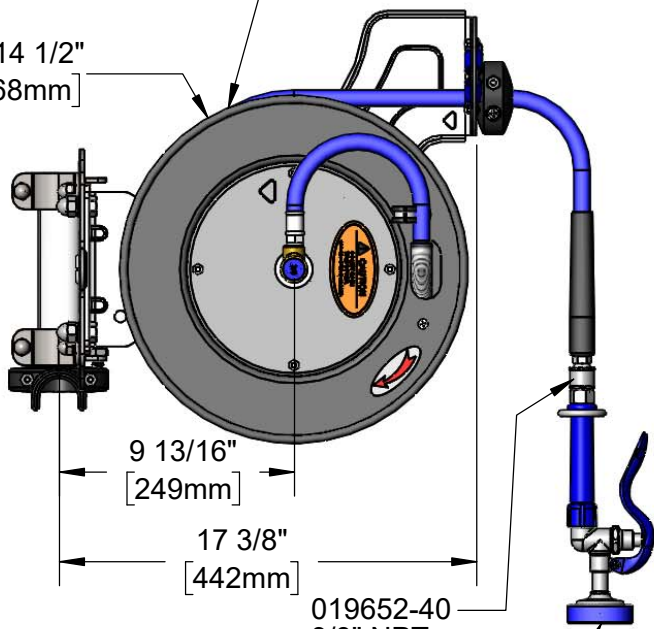
Stainless Steel  $\phi$  1-5/8" Table Leg Mount  
Swing Bracket w/ 180° Multiple Locking Position  
Rotation

Mounting Hardware Included  
for Hose Reel to Bracket



Epoxy Coated Open  
Hose Reel  
35' of 3/8" Hose

$\phi$  14 1/2"  
[368mm]



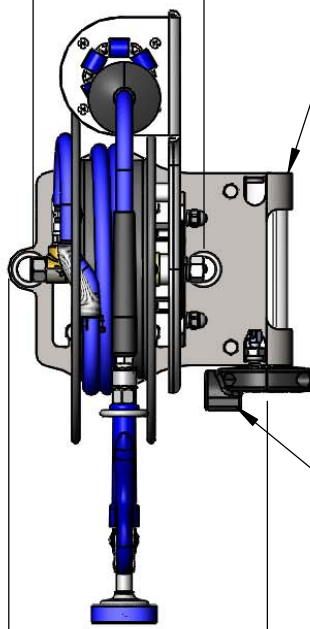
9 13/16"  
[249mm]

17 3/8"  
[442mm]

019652-40  
3/8" NPT  
Live Swivel

EB-0107  
High Flow  
Spray Valve

7 1/8"  
[181mm]



10 3/4"  
[274mm]

Bracket Can Be Mounted to  
Swing Either Left or Right

Must Have  $\phi$  1-5/8" Horizontal  
Support Attached to Table Leg

Product Specifications:

3/8" x 35' Epoxy Coated Open Reel, High Flow Spray Valve w/ Swivel  
& 180 Degree Stainless Steel Table Leg Multiple Locking Position  
Swing Bracket w/ Mounting Hardware for Hose Reel to Bracket

Product Compliance:

NSF 61 Exempt (Non-Potable)  
2019 DOE PRSV Non-Compliant



# T&S BRASS AND BRONZE WORKS, INC.

2 Saddleback Cove / P.O. Box 1088  
Travelers Rest, SC 29690

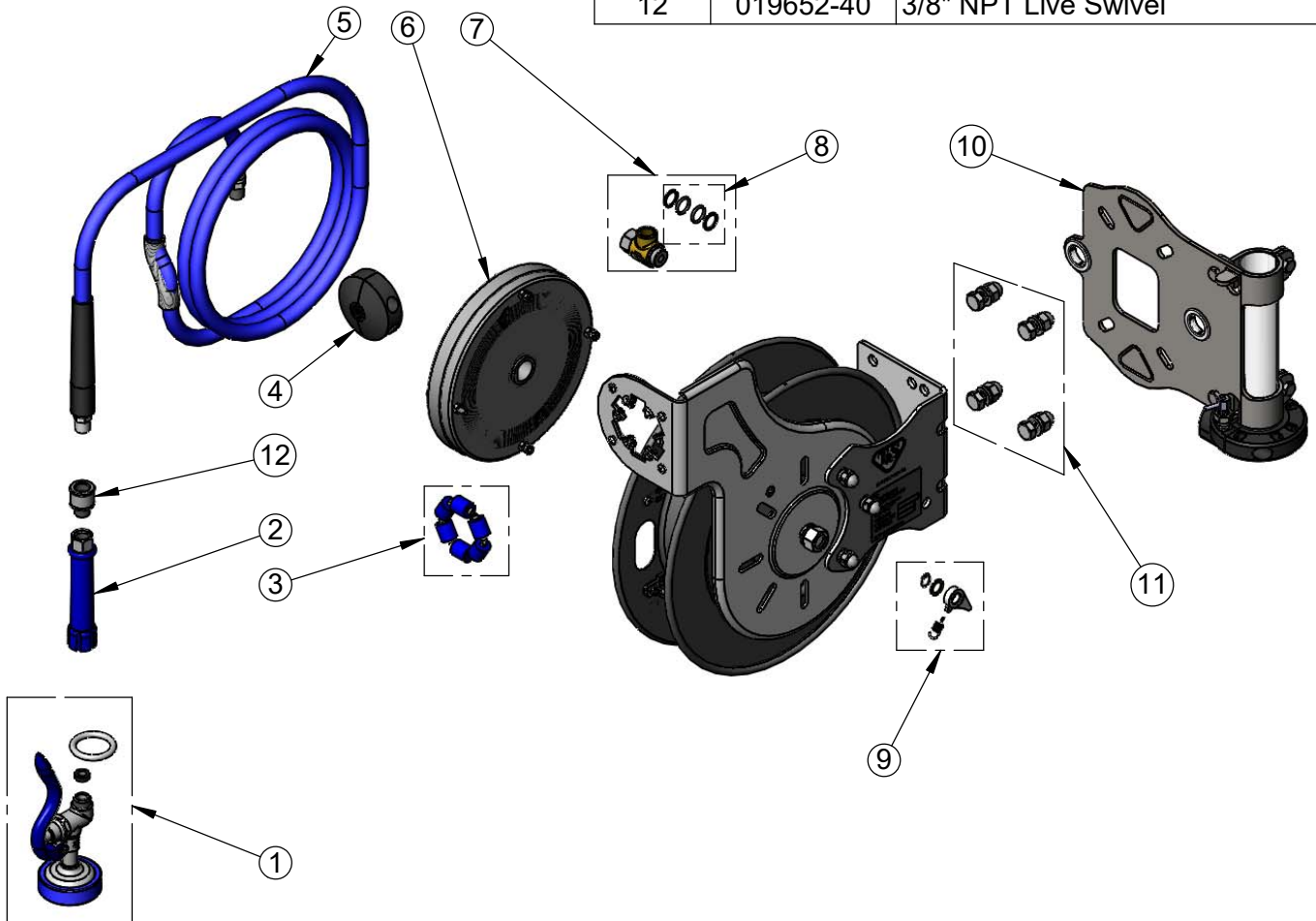
Model No.

**B-7232-01-STB**

Item No.

Travelers Rest, SC: 800-476-4103 • Simi Valley, CA: 800-423-0150 • Fax: 864-834-3518 • www.tsbrass.com

ITEM NO.	SALES NO.	DESCRIPTION
1	EB-0107	High Flow Spray Valve (Blue)
2	012504-40	Grip Handle (Blue) w/ Washer
3	014936-45	Roller Repair Kit
4	014949-45	Hose Stop Repair Kit
5	014941-45	3/8" x 35' Hose Replacement Kit
6	014932-45	Small Epoxy Coated Spring
7	014946-45	3/8" Swivel Repair Kit
8	014948-45	O-Ring Replacement Kit
9	014940-45	Ratchet Repair Kit
10	G018477-45	Stainless Steel Table Leg Swing Bracket
11	019191-45K	Hose Reel Bracket Mounting Kit
12	019652-40	3/8" NPT Live Swivel



**Product Specifications:**

3/8" x 35' Epoxy Coated Open Reel, High Flow Spray Valve w/ Swivel & 180 Degree Stainless Steel Table Leg Multiple Locking Position Swing Bracket w/ Mounting Hardware for Hose Reel to Bracket

**Product Compliance:**

NSF 61 Exempt (Non-Potable)  
2019 DOE PRSV Non-Compliant