



T&S BRASS AND BRONZE WORKS, INC.

2 Saddleback Cove / P.O. Box 1088
Travelers Rest, SC 29690

Model No.

B-2872

Item No.

Travelers Rest, SC: 800-476-4103 • Simi Valley, CA: 800-423-0150 • Fax: 864-834-3518 • www.tsbrass.com



ADA Compliant

This Space for Architect/Engineer Approval

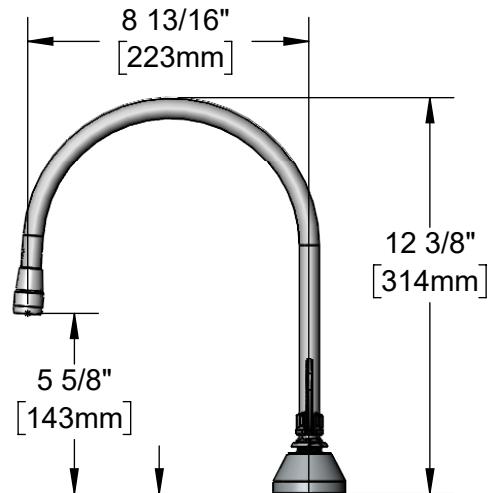
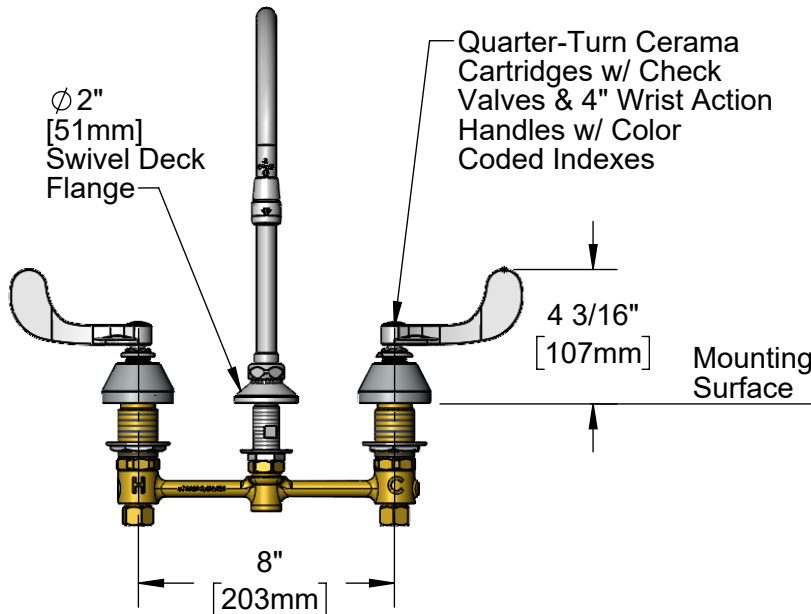
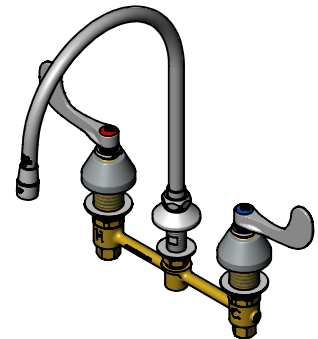
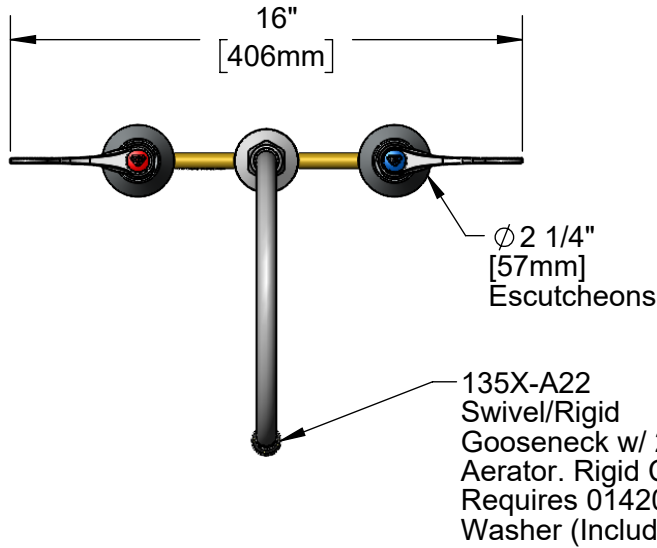
Job Name _____ Date _____

Model Specified _____ Quantity _____

Customer/Wholesaler _____

Contractor _____

Architect/Engineer _____



1 1/4"
[32mm]
Maximum
Thickness

1/2" NPT Male Inlets
w/ Coupling Nuts

Rough-In Requirement:
Center Shank: 1" [25mm] Mounting Holes
Hot/Cold Side: 1 1/2" [38mm] Mounting Holes

Product Specifications:

8" Concealed Widespread EasyInstall Mixing Faucet, Quarter-Turn Cerama Cartridges w/ Check Valves, 4" Wrist Action Handles, Swivel/Rigid Gooseneck w/ 2.2 GPM Aerator & 1/2" NPT Male Inlets w/ Coupling Nut Inlets

Product Compliance:

ASME A112.18.1 / CSA B125.1
NSF 61 - Section 9
NSF 372 (Low Lead Content)
ANSI A117.1 (ADA)



T&S BRASS AND BRONZE WORKS, INC.

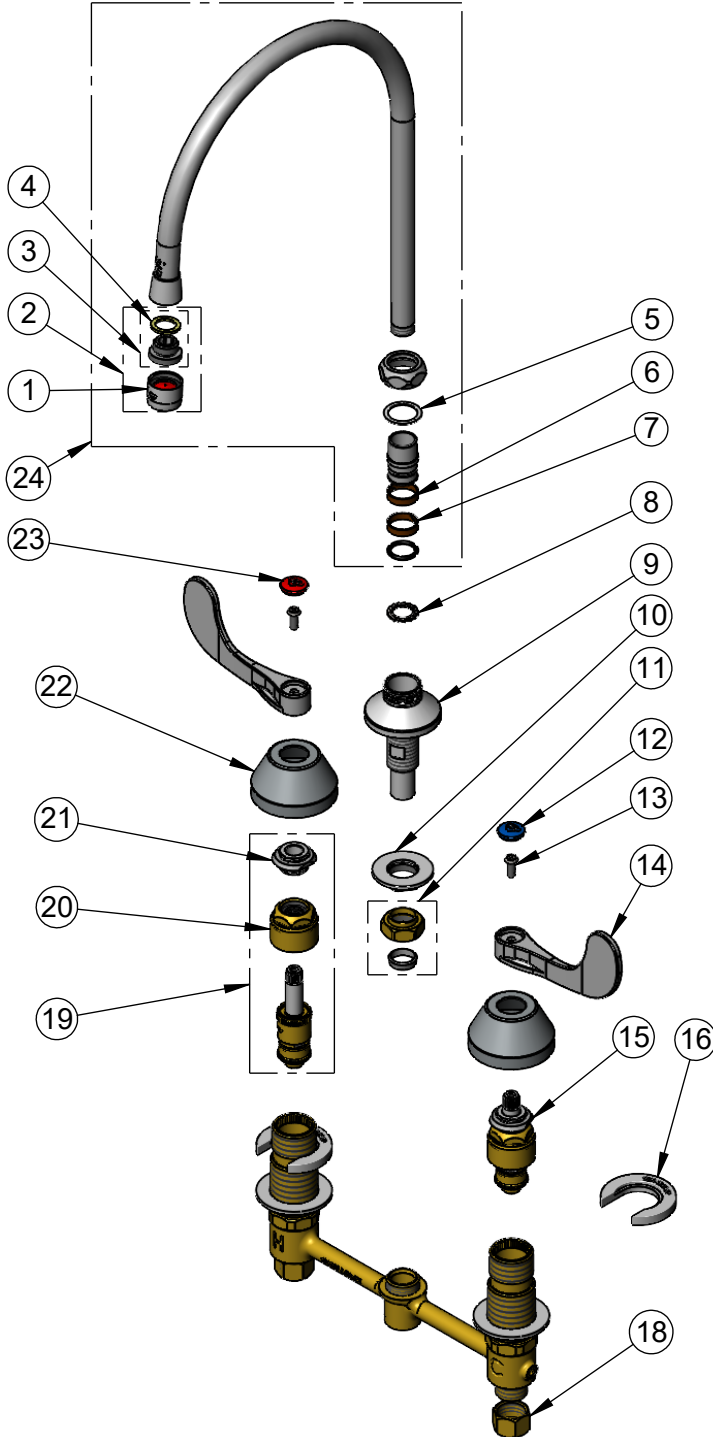
2 Saddleback Cove / P.O. Box 1088
Travelers Rest, SC 29690

Model No.

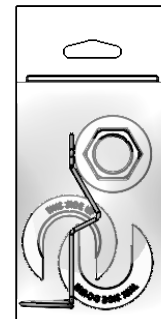
B-2872

Item No.

Travelers Rest, SC: 800-476-4103 • Simi Valley, CA: 800-423-0150 • Fax: 864-834-3518 • www.tsbrass.com



ITEM NO.	SALES NO.	DESCRIPTION
1	B-0199-01	2.2 GPM Aerator, 55/64-27 UN Female
2	B-0199-02	2.2 GPM Aerator, 3/8" NPSM Male
3	044A	3/8" to Aerator Adapter
4	001043-45	Washer
5	009538-45	Swivel Washer
6	011429-45	Swivel Sleeves (2)
7	001074-45	O-Ring
8	014200-45	Star Washer, Anti-Rotation
9	016754-40NS	EasyInstall CWS Swivel Center Shank
10	016742-45	Center Flange Nut
11	016745-45	Compression Nut & Fitting
12	018506-19NS	Blue Button Index, Press-in
13	000925-45	Lab Handle Screw
14	B-WH4-NS	Wrist Action Handle - New Style
15	016768-25NS	EasyInstall CWS Quarter-Turn Cerama Cartridge w/ Check Valve, LTC
16	016749-45	Sidebody C-Washer
17	016777-45	CWS Hanger
18	000958-20	Coupling Nut
19	016767-25NS	EasyInstall CWS Quarter-Turn Cerama Cartridge w/ Check Valve, RTC
20	016743-20	CWS Eterna Bonnet
21	009002-40NS	Packing Nut (New Style)
22	001257-40NS	Bell Escutcheon
23	001193-19NS	Red Button Index, Press-in
24	135X-A22	8 13/16" Swivel/Rigid Gooseneck w/ 2.2 GPM Aerator



017245-40
Installation Repair Kit
Includes #10, (2)#16 & #17

Product Specifications:

8" Concealed Widespread EasyInstall Mixing Faucet, Quarter-Turn Cerama Cartridges w/ Check Valves, 4" Wrist Action Handles, Swivel/Rigid Gooseneck w/ 2.2 GPM Aerator & 1/2" NPT Male Inlets w/ Coupling Nut Inlets

Product Compliance:

ASME A112.18.1 / CSA B125.1
NSF 61 - Section 9
NSF 372 (Low Lead Content)
ANSI A117.1 (ADA)