



Parts & Repair Kits
AW-5B-PRSV

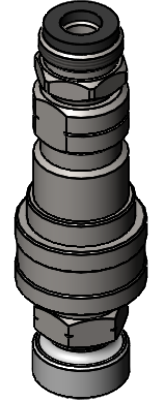
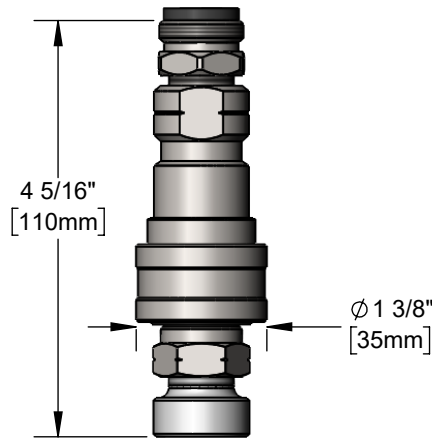
TAG:

Pre-Rinse Quick Disconnect

Architect/Engineering Specifications:

3/8" stainless steel quick disconnect with 3/8" NPT inlet and outlet, 2 adapters for retro-fit of existing pre-rinse units. Certified to NSF 61 Section 9 and NSF 372.

Job Name _____
 Model Specified _____ Quantity _____
 Variations Specified _____
 Date _____



Features & Benefits:

- 3/8" stainless steel quick disconnect with 3/8" NPT inlet and outlet
- 3/8" NPT male x 7/8-20 male adapter
- 3/8" NPT male x 7/8-20 female adapter
- Includes 2 seals
- For in-the-field retro-fit of existing pre-rinse units
- Material: Chrome plated brass adapters, stainless steel quick disconnect and rubber seals

Product Compliance:

- NSF 61 - Section 9
- NSF 372 (Low Lead Content)



Warranty: One Year (Limited)

Performance Data:

- Pressure: 20 - 125 psi [1.38 - 8.62 bar]
- Temperature: 40°F - 140°F [4.44°C - 60 °C]



T&S BRASS AND BRONZE WORKS, INC.



• 2 Saddleback Cove • Travelers Rest, SC 29690
 Ph 800-476-4103 • Fax 864-834-3518
 • Simi Valley, CA • Ph 800-423-0150 • www.tsbrass.com

Date: 02/13/23