



# T&S BRASS AND BRONZE WORKS, INC.

2 Saddleback Cove / P.O. Box 1088  
Travelers Rest, SC 29690

Model No.

**AW-5B-PRSV**

Item No.

Travelers Rest, SC: 800-476-4103 • Simi Valley, CA: 800-423-0150 • Fax: 864-834-3518 • www.tsbrass.com

This Space for Architect/Engineer Approval

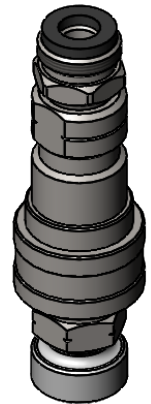
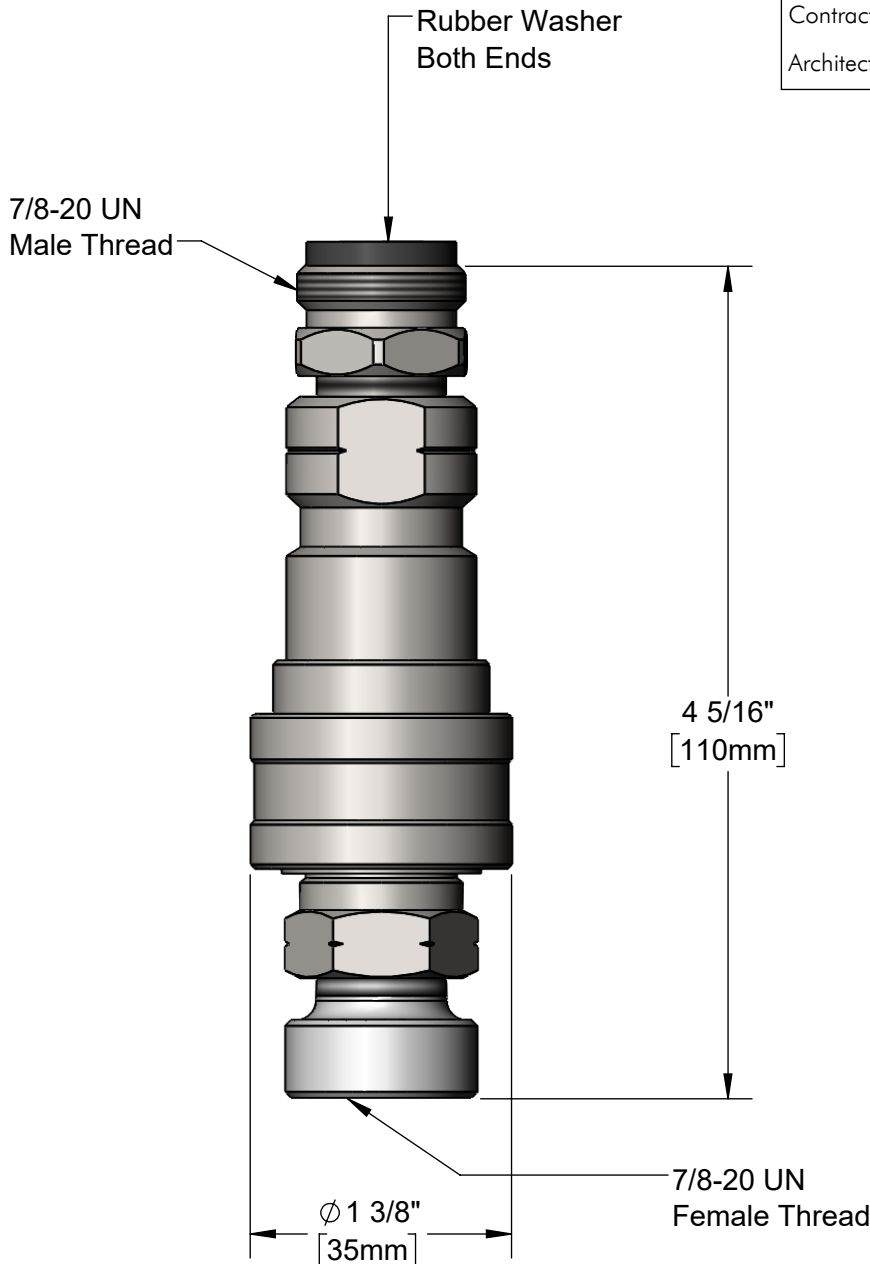
Job Name \_\_\_\_\_ Date \_\_\_\_\_

Model Specified \_\_\_\_\_ Quantity \_\_\_\_\_

Customer/Wholesaler \_\_\_\_\_

Contractor \_\_\_\_\_

Architect/Engineer \_\_\_\_\_



**Product Specifications:**  
Stainless Steel Quick Disconnect with PRSV Adapters  
and Seals For Retro-Fit of Existing Pre-Rinse Units

**Product Compliance:**  
NSF 61 - Section 9  
NSF 372 (Low Lead Content)



# T&S BRASS AND BRONZE WORKS, INC.

2 Saddleback Cove / P.O. Box 1088  
Travelers Rest, SC 29690

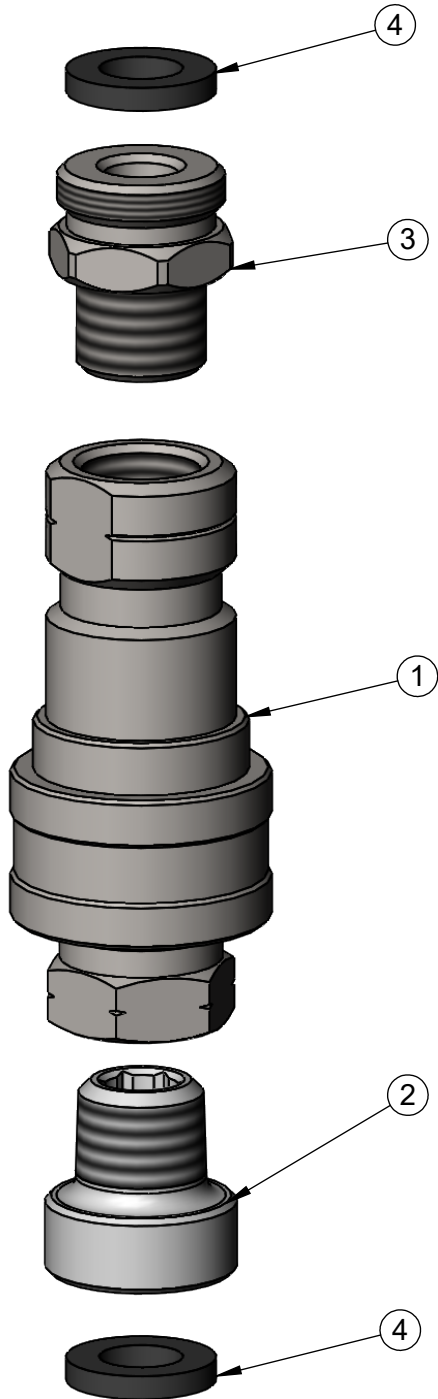
Model No.

**AW-5B-PRSV**

Item No.

Travelers Rest, SC: 800-476-4103 • Simi Valley, CA: 800-423-0150 • Fax: 864-834-3518 • www.tsbrass.com

ITEM NO.	SALES NO.	DESCRIPTION
1	AW-5B	3/8" SS Quick Disconnect
2	017959-25	Adapter, 3/8 NPT Male x 7/8-20 Female
3	017960-25	Adapter, 3/8 NPT Male x 7/8-20 Male
4	001014-45	Washer, Hose Barrel



Product Specifications:  
Stainless Steel Quick Disconnect with PRSV Adapters  
and Seals For Retro-Fit of Existing Pre-Rinse Units

Product Compliance:  
NSF 61 - Section 9  
NSF 372 (Low Lead Content)