



Architect/Engineering Specifications:

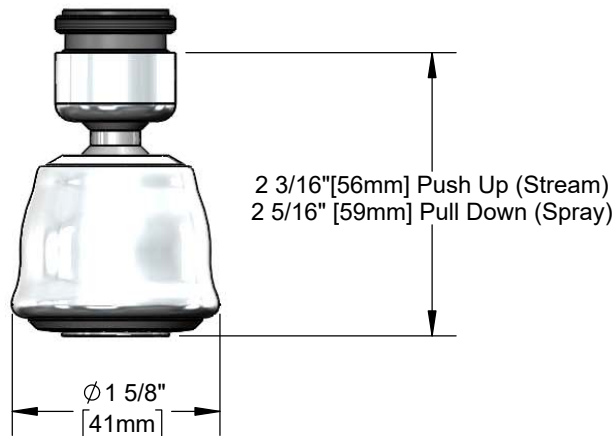
2.2 GPM swivel outlet device with push-pull operation for stream or spray pattern, polished chrome plated body, 55/64-27 UN female inlet and 15/16-27 UN male adapter. Certified to ASME A112.18.1/CSA B125.1, NSF 61-Section 9 and NSF 372.

Job Name _____

Model Specified _____ Quantity _____

Variations Specified _____

Date _____



Features & Benefits:

- 2.2 GPM swivel outlet device, Series 1
- Push-pull operation for stream or spray pattern
- 55/64-27 UN female inlet
- 15/16-27 UN male adapter included
- Fits all T&S swing nozzles
- Material: Polished chrome plated body

Product Compliance:

- ASME A112.18.1 / CSA B125.1
- NSF 61 - Section 9
- NSF 372 (Low Lead Content)



Warranty: One Year (Limited)



Performance Data:

- Pressure: 20 - 125 psi
- Temperature: 40 °F - 140 °F
- Flow Rate: 2.2 GPM @ 60 psi

