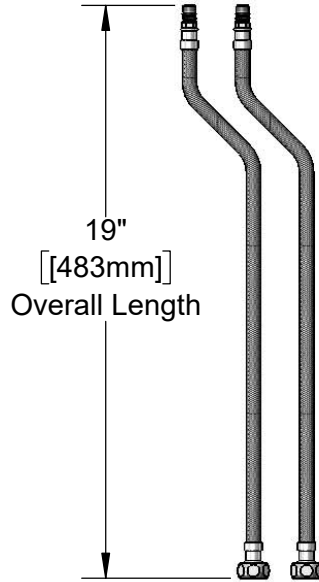




Architect/Engineering Specifications:

19" Flexible stainless steel Supply hose with 3/8" compression female swivel nut inlet. Certified to NSF 61-Section 9 and NSF 372.

Job Name \_\_\_\_\_  
 Model Specified \_\_\_\_\_ Quantity \_\_\_\_\_  
 Variations Specified \_\_\_\_\_  
 Date \_\_\_\_\_



Features & Benefits:

- 19" flexible stainless steel hose
- 3/8" compression female swivel nut inlets
- Hose fits all T&S single hole mount mixing faucets
- Includes set of (2) hoses
- Material: Stainless steel outer braid

Product Compliance:

- NSF 61 - Section 9
- NSF 372 (Low Lead Content)



Warranty: One Year (Limited)



Performance Data:

- N/A

