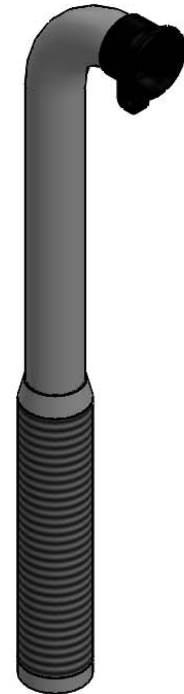
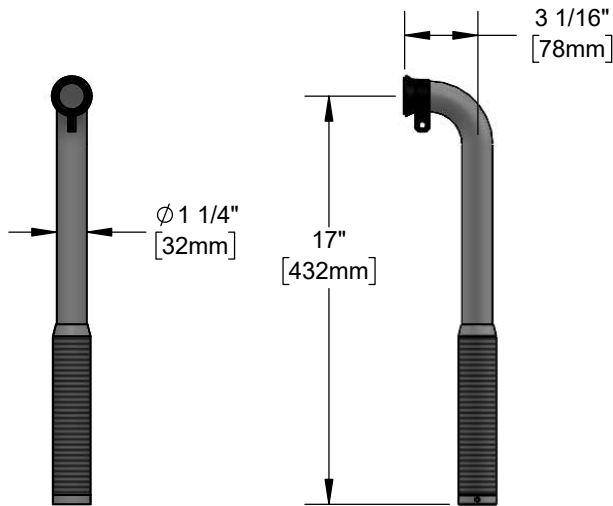




Architect/Engineering Specifications:

Pulldown pre-rinse unit spring and tube repair kit.

Job Name _____
 Model Specified _____ Quantity _____
 Variations Specified _____
 Date _____



Features & Benefits:

- Pulldown pre-rinse unit spring and tube repair kit
- Material: Stainless steel spring and tube

Product Compliance:

- N/A

Warranty: One Year (Limited)

Performance Data:

- N/A

