



T&S BRASS AND BRONZE WORKS, INC.
 2 SADDLEBACK COVE / P.O. BOX 1088 / TRAVELERS REST, SC 29690
 PHONE 800-476-4103 - FAX 864- 834-3518



REG.#A2601
 ISO #9001

Sales No.

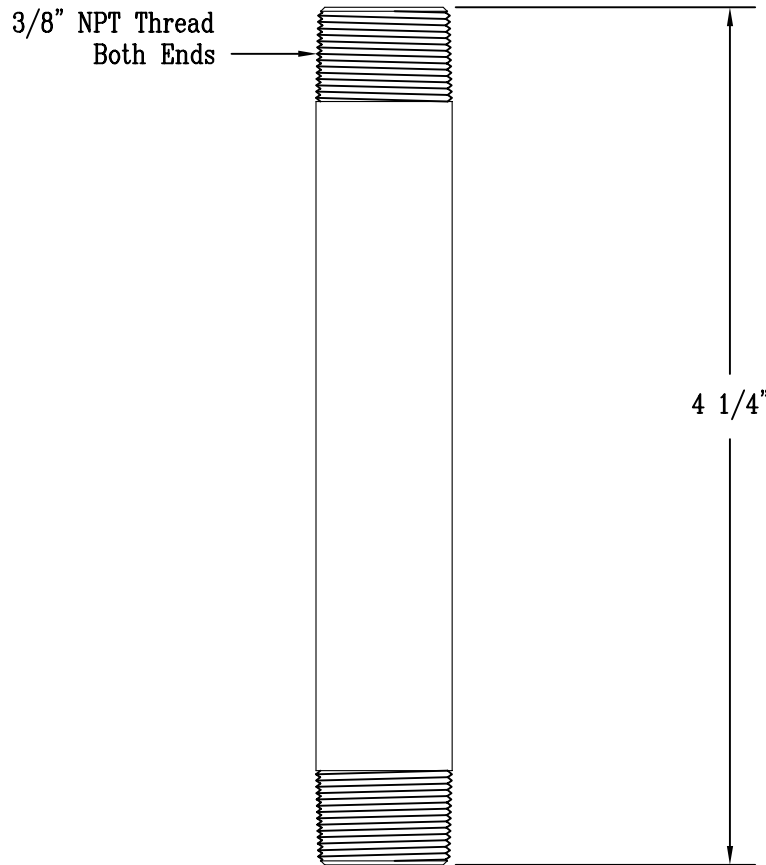
010092-40

RELIABILITY
 BUILT IN

Job Name:

Architect/Engineer Approval:

Notes:



Finish: Chrome Plated

Product Description:

4 1/4" Long Nipple w/ 3/8 NPT Thread Both Ends

Drawn:

KJG

Approved

JHB

Checked

DHL

Scale:

1 : 1

Date:

07/24/08