



**Architect/Engineering Specifications:**

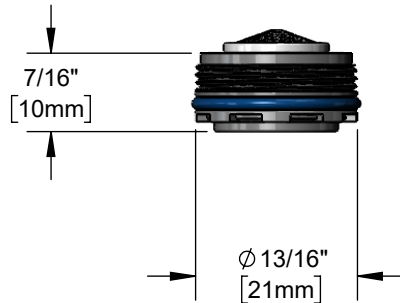
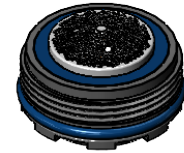
Vandal resistant 0.35 GPM hidden non-aerated spray device with M21.5 x 1 male inlet. Certified to ASME A112.18.1/CSA B125.1, NSF 61-Section 9 and NSF 372.

Job Name \_\_\_\_\_

Model Specified \_\_\_\_\_ Quantity \_\_\_\_\_

Variations Specified \_\_\_\_\_

Date \_\_\_\_\_



**Features & Benefits:**

- Vandal resistant 0.35 GPM hidden non-aerated spray device w/ VR key
- M21.5 x 1 male inlet
- Material: Plastic body

**Product Compliance:**

- ASME A112.18.1 / CSA B125.1
- NSF 61 - Section 9
- NSF 372 (Low Lead Content)

**Warranty:** One Year (Limited)

**Performance Data:**

- Pressure: 20 - 125 psi [1.38 - 8.62 bar]
- Temperature: 40°F - 140°F [4.44°C - 60°C]
- Flow Rate: 0.35 GPM [1.3 L/min] @ 60 psi [4.14 bar]

