



Architect/Engineering Specifications:

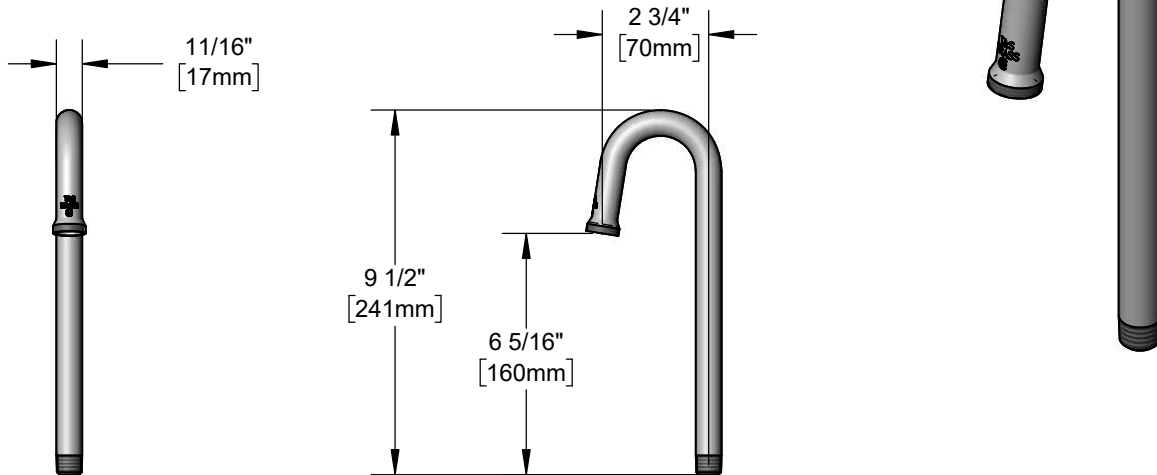
Chrome plated brass rigid gooseneck with 55/64-27 UN male outlet and 3/8" NPT inlet. Certified to ASME A112.18.1/CSA B125.1, NSF 61-Section 9 and NSF 372.

Job Name _____

Model Specified _____ Quantity _____

Variations Specified _____

Date _____



Features & Benefits:

- 2 3/4" gooseneck
- 55/64-27 UN male outlet
- 3/8" NPT male inlet
- Fits all T&S rigid outlet faucets
- Material: Chrome plated brass tubular spout

Product Compliance:

- ASME A112.18.1 / CSA B125.1
- NSF 61 - Section 9
- NSF 372 (Low Lead Content)



Warranty: One Year (Limited)



Performance Data:

- N/A

