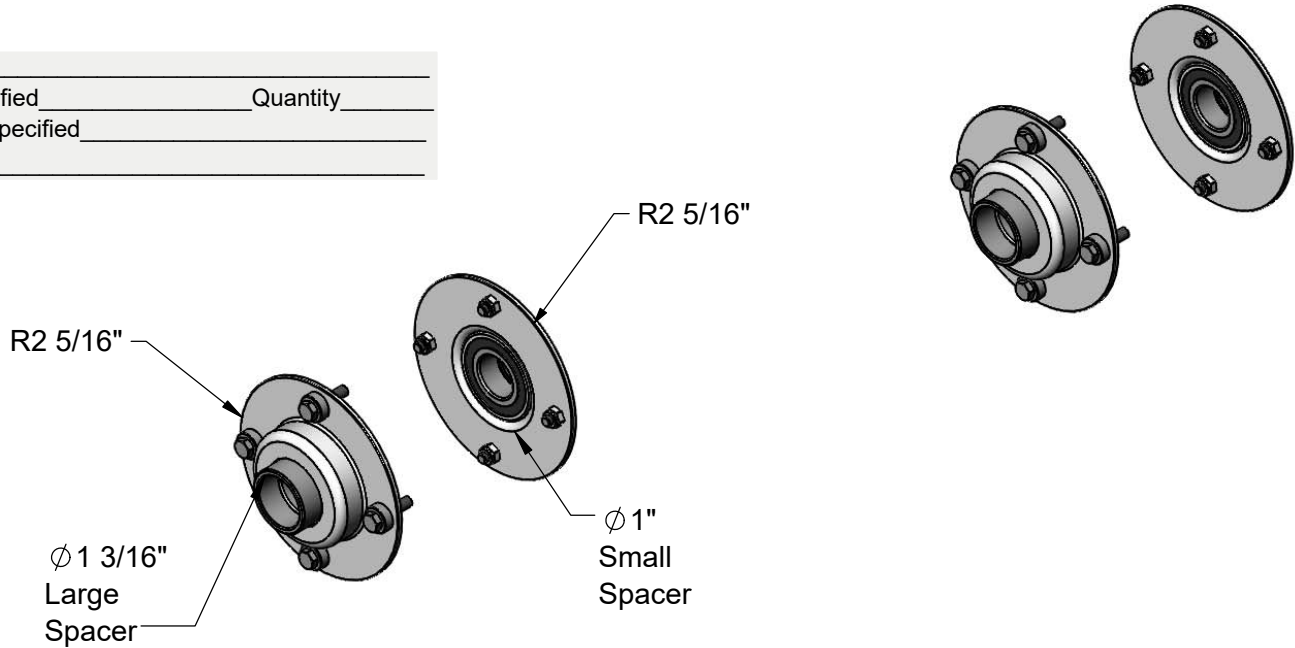




Architect/Engineering Specifications:

3/4" creamery hose reel bearing kits. One large and one small kits included.

Job Name _____
 Model Specified _____ Quantity _____
 Variations Specified _____
 Date _____



Features & Benefits:

- 3/4" creamery hose reel bearing kits
- One large bearing kit
- One small bearing kit
- Material: Steel & stainless steel

Product Compliance:

- N/A

Warranty: One Year (Limited)

Performance Data:

- N/A

