



T&S BRASS AND BRONZE WORKS, INC.
 2 Saddleback Cove / P.O. Box 1088
 Travelers Rest, SC 29690

Model No.
002901-40

Item No.

Travelers Rest, SC: 800-476-4103 • Simi Valley, CA: 800-423-0150 • Fax: 864-834-3518 • www.tsbrass.com



ADA Compliant

This Space for Architect/Engineer Approval

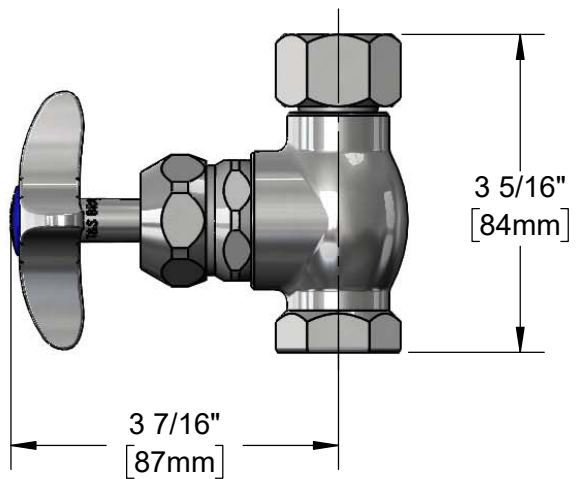
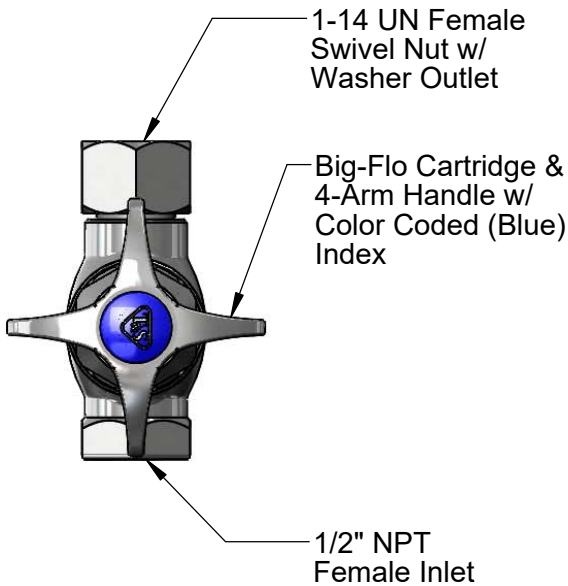
Job Name _____ Date _____

Model Specified _____ Quantity _____

Customer/Wholesaler _____

Contractor _____

Architect/Engineer _____



Product Specifications:
 B-0190 Union Type Valve, Big-Flo Cartridge, 4-Arm Handle, 1/2" NPT Female Inlet & 1-14 UN Female Swivel Nut Outlet

Product Compliance:
 ASME A112.18.1 / CSA B125.1
 NSF 61 - Section 9
 NSF 372 (Low Lead Content)
 ANSI A117.1 (ADA)



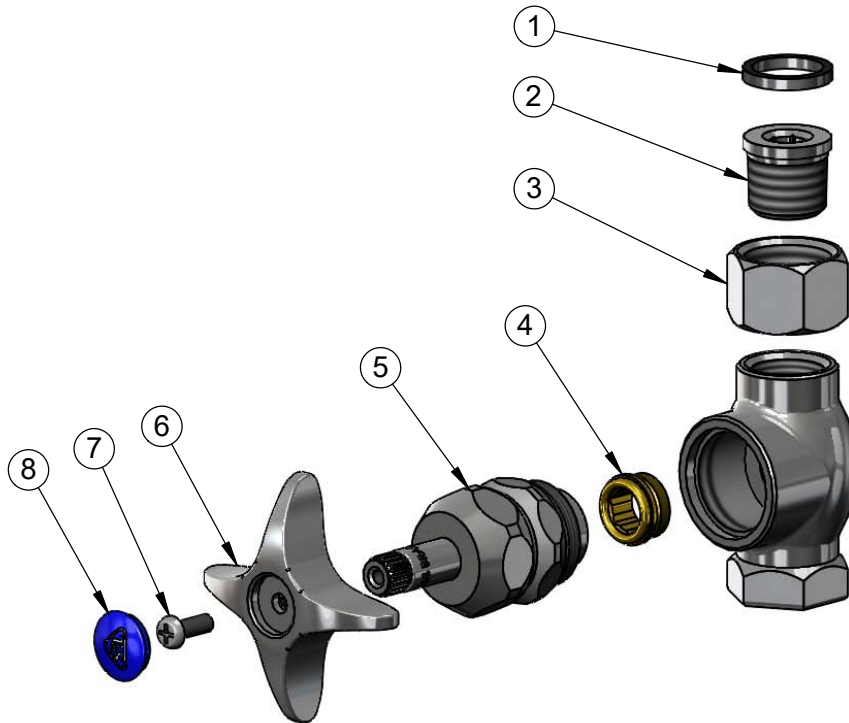
T&S BRASS AND BRONZE WORKS, INC.
 2 Saddleback Cove / P.O. Box 1088
 Travelers Rest, SC 29690

Model No.
002901-40

Item No.

Travelers Rest, SC: 800-476-4103 • Simi Valley, CA: 800-423-0150 • Fax: 864-834-3518 • www.tsbrass.com

ITEM NO.	SALES NO.	DESCRIPTION
1	001040-45	Washer, 3/4 ID x 15/16 OD x 1/8 thick
2	000683-25	Insert, B-192 Coupling
3	000706-40	Nut, Coupling
4	000764-20	Seat, Big-Flo
5	006482-40NS	Big-Flo Cartridge, RTC
6	002521-45NS	4-Arm Handle (New Style)
7	000925-45	Lab Handle Screw
8	018506-19NS	Blue Button Index, Press-in



Product Specifications:

B-0190 Union Type Valve, Big-Flo Cartridge, 4-Arm Handle, 1/2" NPT Female Inlet & 1-14 UN Female Swivel Nut Outlet

Product Compliance:

ASME A112.18.1 / CSA B125.1
 NSF 61 - Section 9
 NSF 372 (Low Lead Content)
 ANSI A117.1 (ADA)