



Architect/Engineering Specifications:

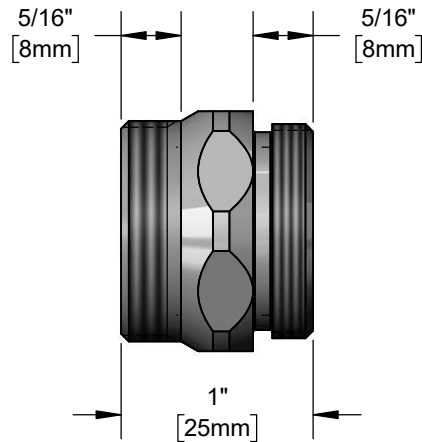
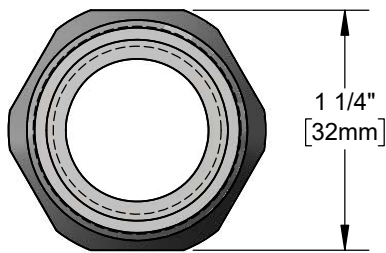
Polished chrome plated brass valve insert with 7/8-8 UN right hand female thread. 1 1/8-8 UN and 1.165-18 UN male thread. Certified to ASME A112.18.1/CSA B125.1, NSF 61-Section 9 and NSF 372.

Job Name \_\_\_\_\_

Model Specified \_\_\_\_\_ Quantity \_\_\_\_\_

Variations Specified \_\_\_\_\_

Date \_\_\_\_\_



Features & Benefits:

- Valve insert
- 7/8-8 UN right hand female thread
- 1 1/8-8 UN male thread
- 1.165-18 UN male thread
- Material: Polished chrome plated brass

Product Compliance:

- ASME A112.18.1 / CSA B125.1
- NSF 61 - Section 9
- NSF 372 (Low Lead Content)



Warranty: One Year (Limited)

Performance Data:

- N/A

