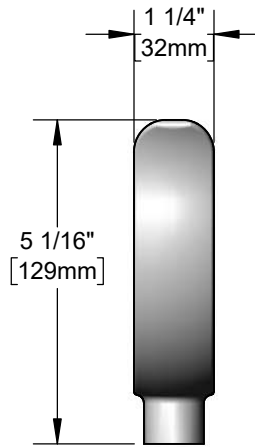
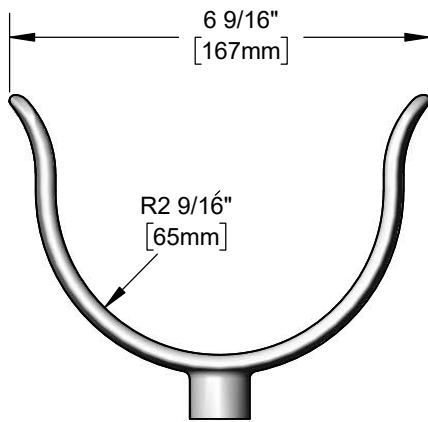




Architect/Engineering Specifications:

Polished chrome plated knee stirrup.

Job Name _____
 Model Specified _____ Quantity _____
 Variations Specified _____
 Date _____



Features & Benefits:

- Knee stirrup
- 3/8-18 UN female Thread
- Material: Polished chrome plated brass

Product Compliance:

- N/A

Warranty: One Year (Limited)

Performance Data:

- N/A

