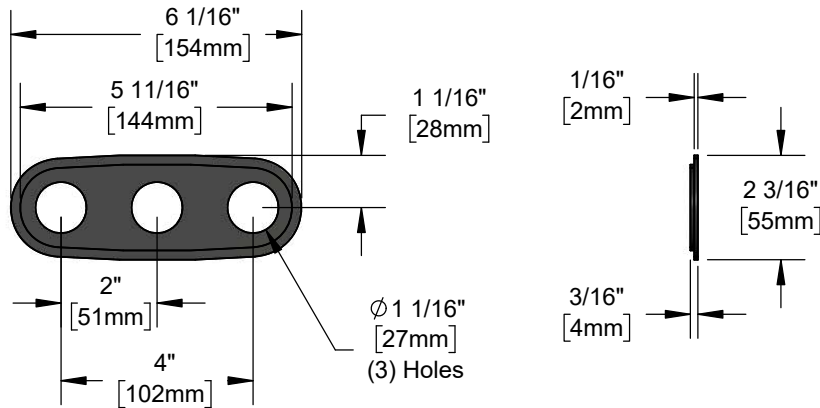




Architect/Engineering Specifications:

Black rubber gasket for EC-3103 electronic sensor faucets.

Job Name \_\_\_\_\_  
 Model Specified \_\_\_\_\_ Quantity \_\_\_\_\_  
 Variations Specified \_\_\_\_\_  
 Date \_\_\_\_\_



Features & Benefits:

- Black rubber gasket
- Use with EC-3103 electronic sensor faucets
- Material: Rubber

Product Compliance:

- N/A

Warranty: One Year (Limited)

Performance Data:

- N/A

