



Trough Inlet Fittings

B-2293

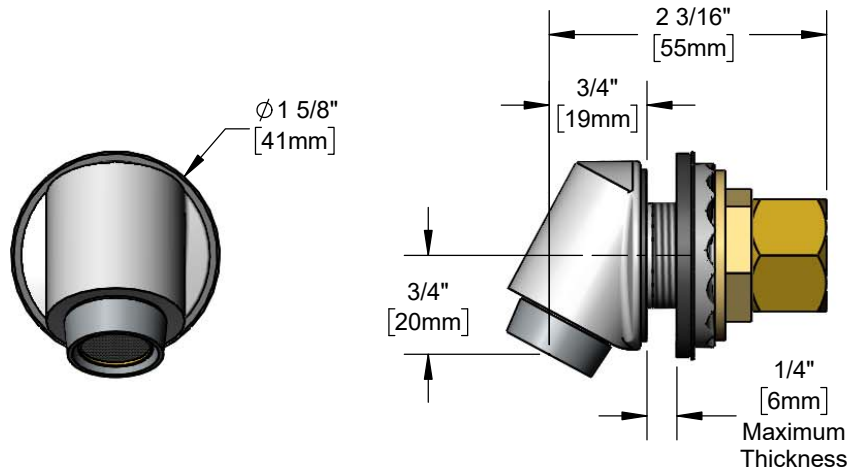
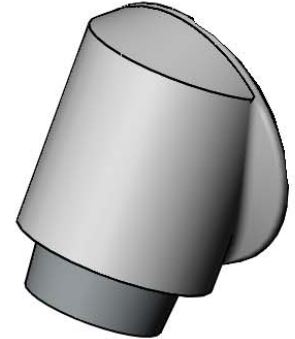
TAG:

Trough Inlet Fitting

Architect/Engineering Specifications:

Trough inlet fitting with 2.2 GPM aerator, rubber washer and 1/2" NPSM compression fitting. Certified to ASME A112.18.1/CSA B125.1.

Job Name _____
 Model Specified _____ Quantity _____
 Variations Specified _____
 Date _____



Features & Benefits:

- Trough inlet fitting
- 2.2 GPM aerator
- Rubber washer
- 1/2" NPSM compression fitting
- Material: Chrome plate brass and rubber washers

Product Compliance:

- ASME A112.18.1 / CSA B125.1
- NSF 61 Exempt (Non-Potable)



Warranty: One Year (Limited)

Performance Data:

- Pressure: 20 - 125 psi
- Temperature: 40 °F - 140 °F
- Flow Rate: 2.2 GPM @ 60 psi



T&S BRASS AND BRONZE WORKS, INC.



• 2 Saddleback Cove • Travelers Rest, SC 29690
 Ph 800-476-4103 • Fax 864-834-3518
 • Simi Valley, CA • Ph 800-423-0150 • www.tsbrass.com

Date: 08/23/19