



Architect/Engineering Specifications:

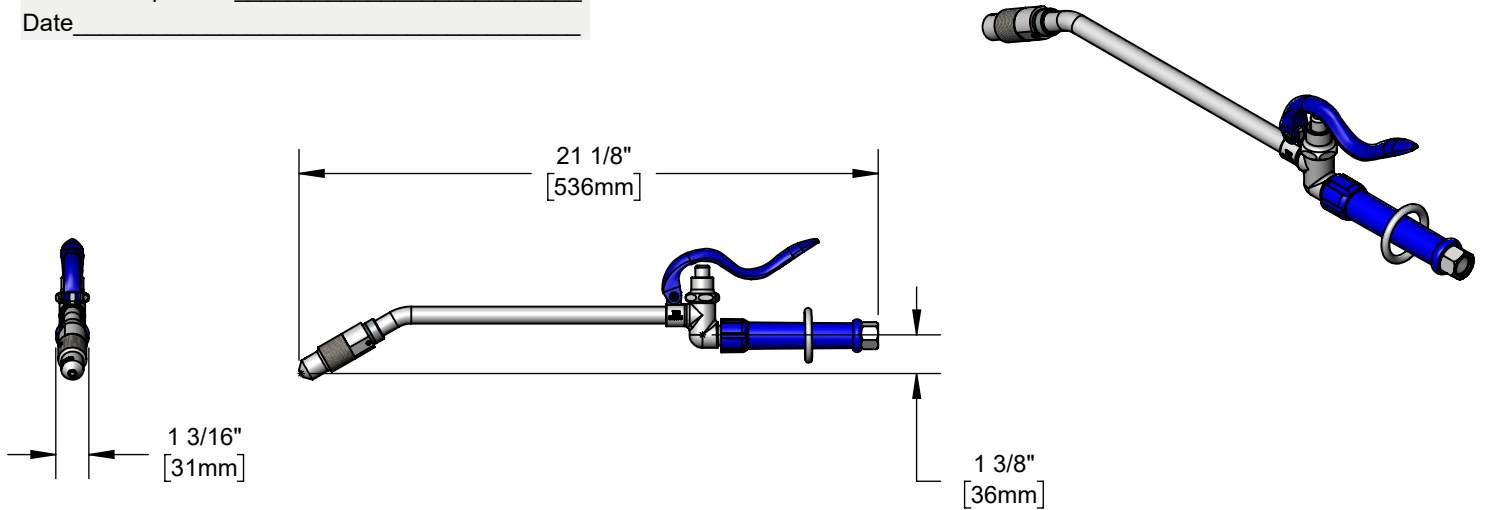
Hose Reel Extended Spray Valve Unit with Self-Closing Spray Valve, 3/8" NPT Female Inlet, Extended Blue Handle, and Removable Spray Head. Certified to ASME A112.18.1/CSA B125.1, NSF 61-Section 9 and NSF 372.

Job Name _____

Model Specified _____ Quantity _____

Variations Specified _____

Date _____



Features & Benefits:

- Self-Closing Spray Valve
- 3/8" NPT Female Inlet
- Extended Blue Handle
- Removable Spray Head
- Material: Polished chrome plated brass nozzle

Product Compliance:

- ASME A112.18.1 / CSA B125.1
- NSF 61 - Section 9
- NSF 372 (Low Lead Content)
- 2019 DOE PRSV Non-Compliant



Warranty: One Year (Limited)

Performance Data:

- Pressure: 20 - 125 psi [1.38 - 8.62 bar]
- Temperature: 40°F - 140°F [4.44°C - 60 °C]
- Flow Rate: 4.20 GPM [15.90 L/min] @ 60 psi [4.14 bar]

