



**T&S BRASS AND BRONZE WORKS, INC.**  
 2 Saddleback Cove / P.O. Box 1088  
 Travelers Rest, SC 29690

Model No.  
**BL-4355-01**

Item No.

Travelers Rest, SC: 800-476-4103 • Simi Valley, CA: 800-423-0150 • Fax: 864-834-3518 • www.tsbrass.com



**ADA Compliant**

This Space for Architect/Engineer Approval

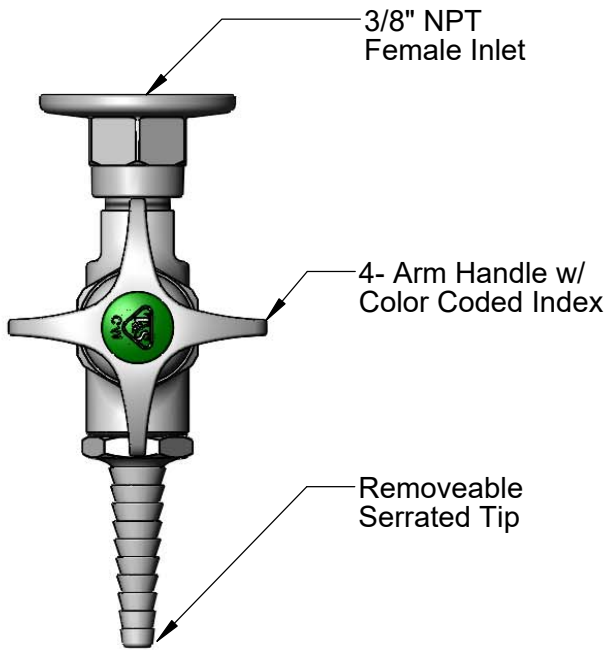
Job Name \_\_\_\_\_ Date \_\_\_\_\_

Model Specified \_\_\_\_\_ Quantity \_\_\_\_\_

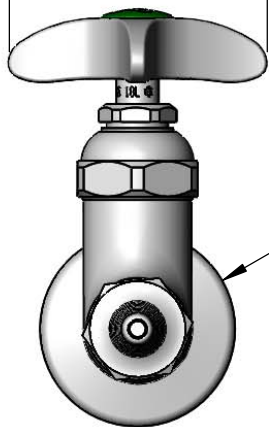
Customer/Wholesaler \_\_\_\_\_

Contractor \_\_\_\_\_

Architect/Engineer \_\_\_\_\_

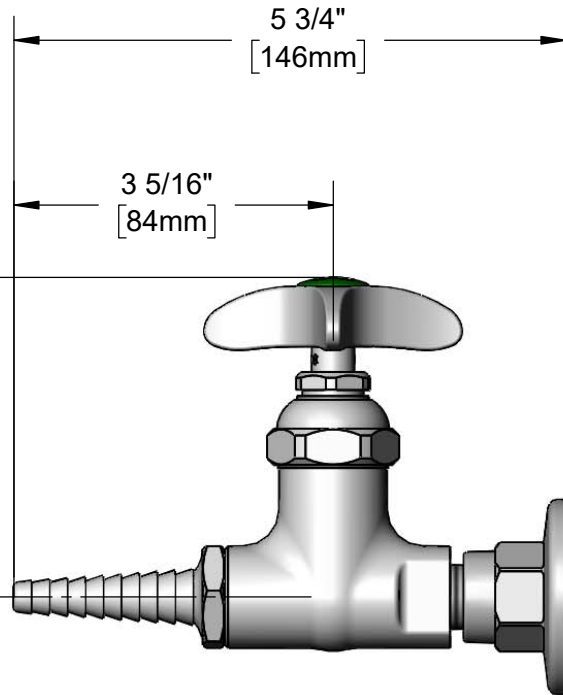


2 11/16"  
[68mm]



Ø2"  
[52mm]

3 5/16"  
[85mm]



Product Specifications:  
 Flange w/ Straight Stop for Water, 3/8" NPT Female Inlet, Serrated Tip Outlet

Product Compliance:  
 ASME A112.18.1 / CSA B125.1  
 NSF 61 - Section 9  
 NSF 372 (Low Lead Content)  
 ANSI A117.1 (ADA)



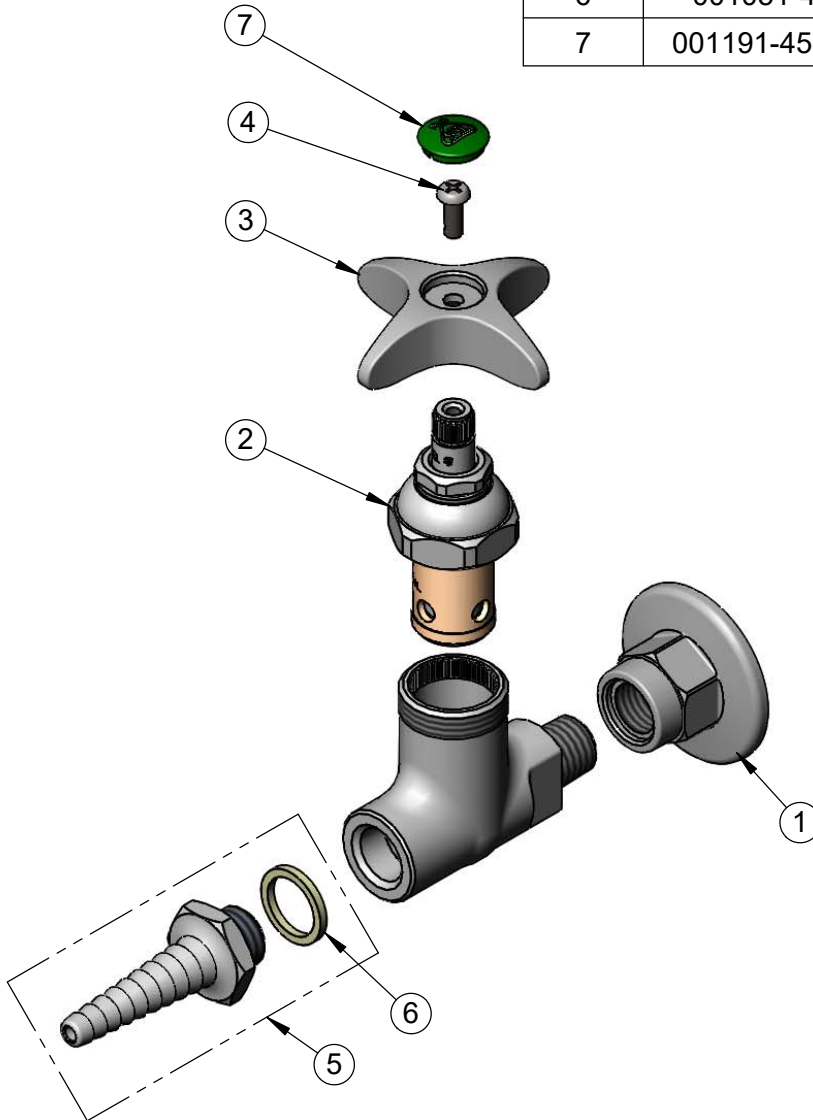
**T&S BRASS AND BRONZE WORKS, INC.**  
 2 Saddleback Cove / P.O. Box 1088  
 Travelers Rest, SC 29690

Model No.  
**BL-4355-01**

Item No.

Travelers Rest, SC: 800-476-4103 • Simi Valley, CA: 800-423-0150 • Fax: 864-834-3518 • www.tsbrass.com

| ITEM NO. | SALES NO.   | DESCRIPTION                 |
|----------|-------------|-----------------------------|
| 1        | BL-4250-03  | Flange, 3/8" NPT            |
| 2        | 005960-40   | Eterna Cartridge, RTC       |
| 3        | 002521-45NS | 4-Arm Handle (New Style)    |
| 4        | 000925-45   | Lab Handle Screw            |
| 5        | B-0198      | Serrated Tip Outlet         |
| 6        | 001051-45   | Washer                      |
| 7        | 001191-45NS | Green "CW" Lab Button Index |



Product Specifications:  
 Flange w/ Straight Stop for Water, 3/8" NPT Female Inlet, Serrated Tip Outlet

Product Compliance:  
 ASME A112.18.1 / CSA B125.1  
 NSF 61 - Section 9  
 NSF 372 (Low Lead Content)  
 ANSI A117.1 (ADA)