



T&S BRASS AND BRONZE WORKS, INC.

2 Saddleback Cove / P.O. Box 1088
Travelers Rest, SC 29690

Model No.

MPQ-8WLV-08-CR

Item No.

Travelers Rest, SC: 800-476-4103 • Simi Valley, CA: 800-423-0150 • Fax: 864-834-3518 • www.tsbrass.com

This Space for Architect/Engineer Approval

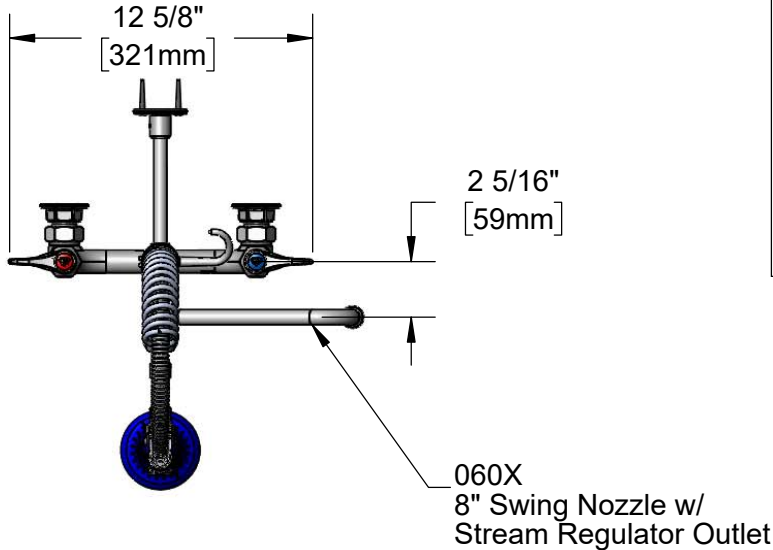
Job Name _____ Date _____

Model Specified _____ Quantity _____

Customer/Wholesaler _____

Contractor _____

Architect/Engineer _____

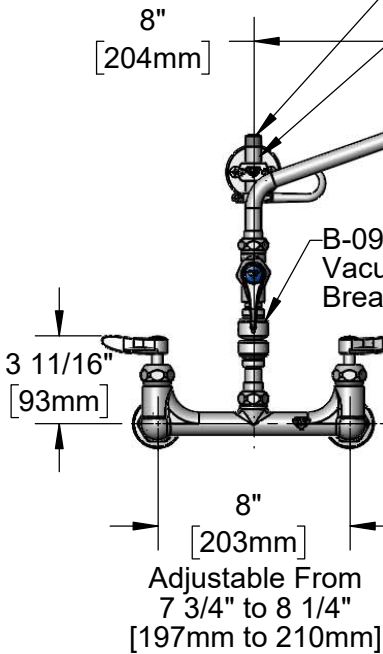


24" Flexible Stainless Steel Hose w/ Spring & Spray Valve

Items Not Shown For Clarity

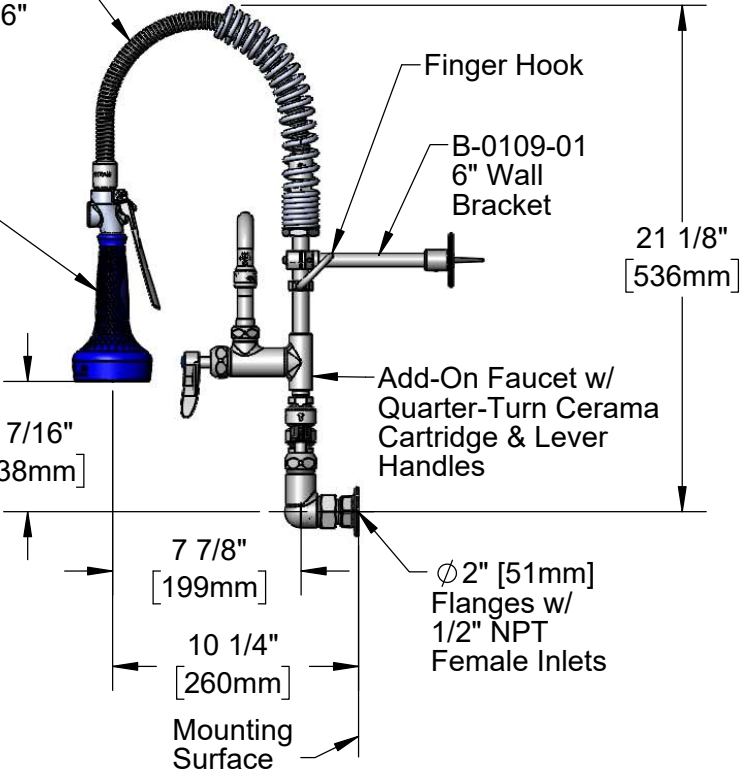
3/8" NPT x 5 3/16" Riser

B-0108-C 0.65 GPM Low Flow Jet Spray Valve



B-0970-FEZ Vacuum Breaker

Quarter-Turn Cerama Cartridges w/ Check Valves & Lever Handles w/ Color Coded Indexes



Finger Hook

B-0109-01 6" Wall Bracket

Add-On Faucet w/ Quarter-Turn Cerama Cartridge & Lever Handles

Ø2" [51mm] Flanges w/ 1/2" NPT Female Inlets

Mounting Surface

Product Specifications:

Easy Install Pre-Rinse Unit: 8" Wall Mount Mixing Faucet, Quarter-Turn Cerama Cartridges w/ Check Valves, Lever Handles, Add-On Faucet w/ 8" Swing Nozzle, Vacuum Breaker, Compact Spring, 24" Flexible Stainless Steel Hose, 0.65 GPM Low Flow Spray Valve, 6" Wall Bracket & 1/2" NPT Female Inlets

Product Compliance:

ASME A112.18.1 / CSA B125.1
NSF 61 - Section 9
NSF 372 (Low Lead Content)
2019 DOE PRSV - Class I
CSA B64.8 (VB)
For Commercial Use Only



T&S BRASS AND BRONZE WORKS, INC.

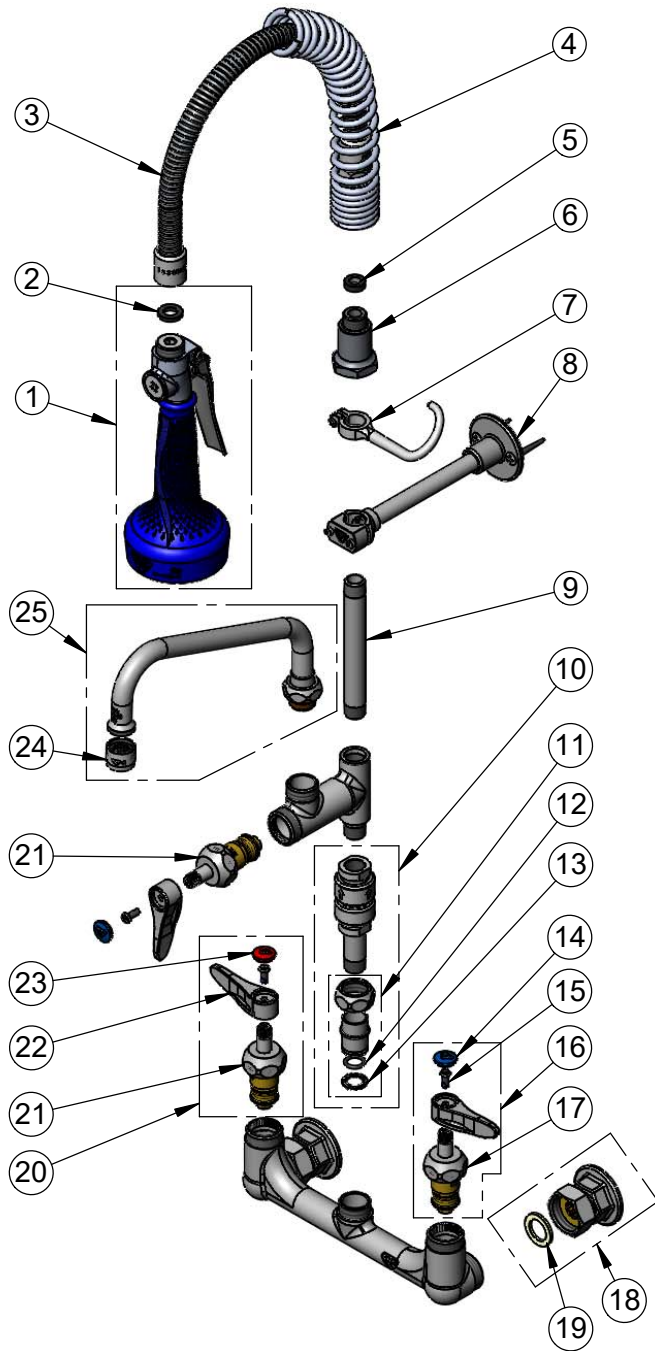
2 Saddleback Cove / P.O. Box 1088
Travelers Rest, SC 29690

Model No.

MPQ-8WLV-08-CR

Item No.

Travelers Rest, SC: 800-476-4103 • Simi Valley, CA: 800-423-0150 • Fax: 864-834-3518 • www.tsbrass.com



ITEM NO.	SALES NO.	DESCRIPTION
1	B-0108-C	0.65 GPM Low Flow JetSpray Valve
2	001014-45	Washer, B-0100 Hose Barrel
3	B-0024-H2A	24" Flexible Stainless Steel Hose, Less Handle
4	016795-45	Compact Spring
5	010476-45	#27 Washer
6	000821-40	Spring Body
7	004R	Finger Hook
8	B-0109-01	6" Wall Bracket
9	001617-40	3/8" NPT x 5-3/16" Riser
10	B-0970-FEZ	EasyInstall Vacuum Breaker
11	EZ-K	EasyInstall Kit: Nut, Bushing, O-Ring & Lock Washer
12	001065-45	O-Ring
13	014200-45	Star Washer, Anti-Rotation
14	018506-19NS	Blue Button Index, Press-in
15	000925-45	Lab Handle Screw
16	012447-25NS	Quarter-Turn Cerama Cartridge w/ Check Valve, Handle, Blue Index & Screw, LTC
17	012395-25NS	Quarter-Turn Cerama Cartridge w/ Check Valve, LTC
18	00AA	1/2" NPT Female Eccentric Flange
19	001019-45	Coupling Nut Washer
20	012446-25NS	Quarter-Turn Cerama Cartridge w/ Check Valve, Handle, Red Index & Screw, RTC
21	012394-25NS	Quarter-Turn Cerama Cartridge w/ Check Valve, RTC
22	001638-45NS	Lever Handle (New Style)
23	001193-19NS	Red Button Index, Press-in
24	B-PT	Full Flow Stream Regulator, 55/64-27
25	060X	8" Swing Nozzle

Product Specifications:

Easy Install Pre-Rinse Unit: 8" Wall Mount Mixing Faucet, Quarter-Turn Cerama Cartridges w/ Check Valves, Lever Handles, Add-On Faucet w/ 8" Swing Nozzle, Vacuum Breaker, Compact Spring, 24" Flexible Stainless Steel Hose, 0.65 GPM Low Flow Spray Valve, 6" Wall Bracket & 1/2" NPT Female Inlets

Product Compliance:

ASME A112.18.1 / CSA B125.1
NSF 61 - Section 9
NSF 372 (Low Lead Content)
2019 DOE PRSV - Class I
CSA B64.8 (VB)
For Commercial Use Only