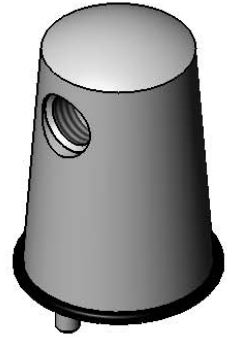
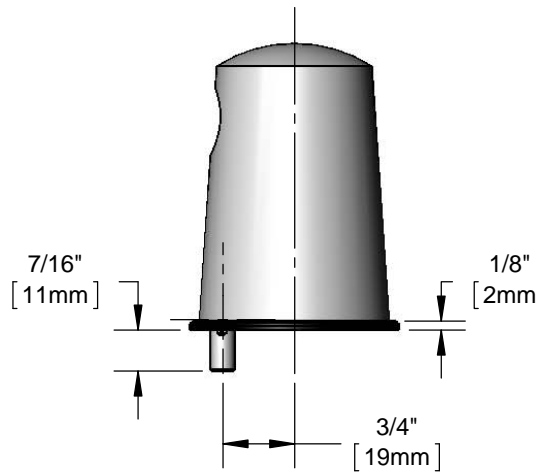
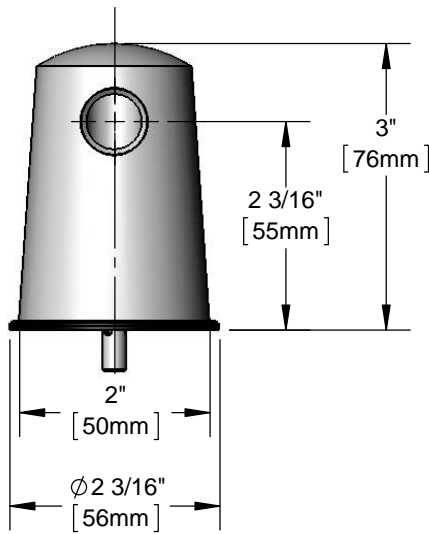




**Architect/Engineering Specifications:**

Laboratory turret with polished chrome plated brass body, vandal resistant pin, 3/8" NPT female outlet and 3/8" NPT female inlet.

Job Name \_\_\_\_\_  
 Model Specified \_\_\_\_\_ Quantity \_\_\_\_\_  
 Variations Specified \_\_\_\_\_  
 Date \_\_\_\_\_



**Features & Benefits:**

- Laboratory turret with polished chrome plated brass body
- Vandal resistant pin
- 3/8" NPT female outlet
- 3/8" NPT female inlet in base
- Black plastic base gasket
- Material: Polished chrome plated brass body

**Product Compliance:**

- N/A

**Warranty:** One Year (Limited)

**Performance Data:**

- N/A

