



T&S BRASS AND BRONZE WORKS, INC.
 2 Saddleback Cove / P.O. Box 1088
 Travelers Rest, SC 29690

Model No.
AG-5 Series

Item No.

Travelers Rest, SC: 800-476-4103 • Simi Valley, CA: 800-423-0150 • Fax: 864-834-3518 • www.tsbrass.com

This Space for Architect/Engineer Approval

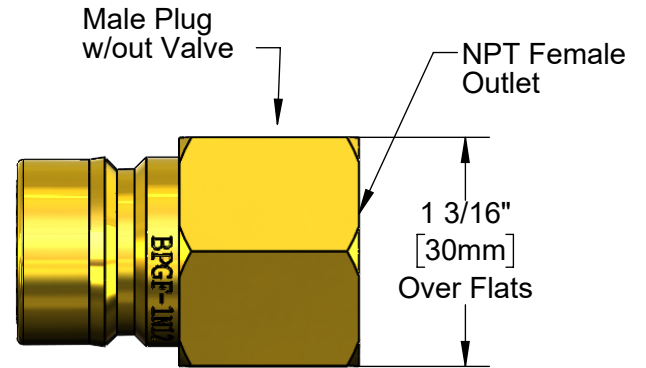
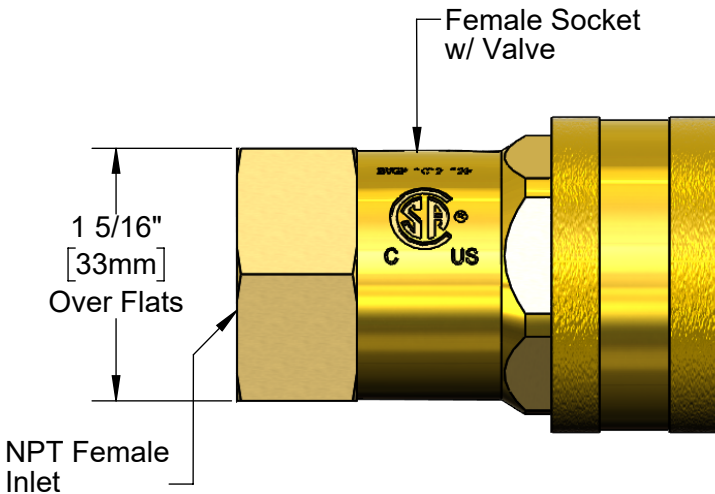
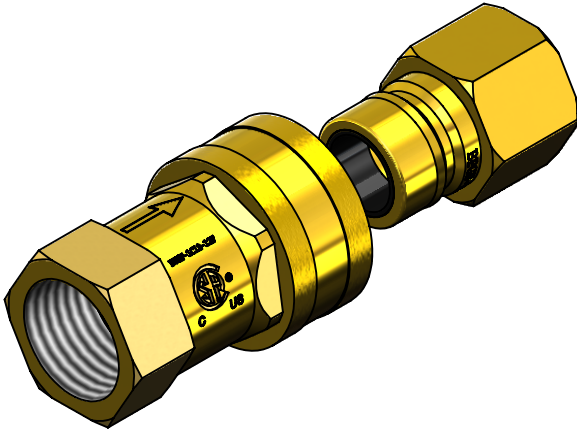
Job Name _____ Date _____

Model Specified _____ Quantity _____

Customer/Wholesaler _____

Contractor _____

Architect/Engineer _____



1/2" NPT	3/4" NPT	1" NPT	1 1/4" NPT
AG-5C	AG-5D	AG-5E	AG-5F

AG-5 Series Product Configurator: AG - 5

Ex: AG - 5

2-Piece Quick Disconnect, 3/4" NPT

Product Specifications:
 Safe-T-Link Gas Appliance Connector:
 2-Piece Quick Disconnect, 1/2" NPT - 1 1/4" NPT

Product Compliance:
 ANSI Z21.41 / CSA 6.9
 NSF 2
 NFPA 54