



T&S BRASS AND BRONZE WORKS, INC.

2 Saddleback Cove / P.O. Box 1088
Travelers Rest, SC 29690

Model No.

MPQ-2DLV-08-CR

Item No.

Travelers Rest, SC: 800-476-4103 • Simi Valley, CA: 800-423-0150 • Fax: 864-834-3518 • www.tsbrass.com

This Space for Architect/Engineer Approval

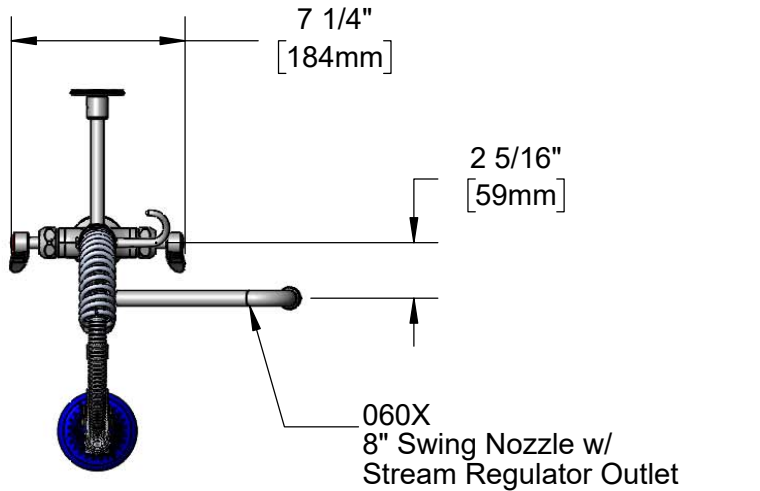
Job Name _____ Date _____

Model Specified _____ Quantity _____

Customer/Wholesaler _____

Contractor _____

Architect/Engineer _____



060X
8" Swing Nozzle w/
Stream Regulator Outlet

24" Flexible Stainless Steel
Hose w/ Spring & Spray Valve

Items Not Shown
For Clarity

B-0108-C
0.65 GPM Low
Flow JeTSpray Valve

B-0109-01
6" Wall
Bracket

Finger Hook

3/8" NPT x 5 3/16"
Riser

Add-On Faucet
w/ Quarter-Turn
Cerama Cartridge
& Lever Handle

Quarter-Turn Cerama Cartridges
w/ Check Valves & Lever Handles
w/ Color Coded Indexes

18" Flexible Stainless Steel
Supply Hoses

Compression Fittings for 5/8" Copper
Tubing (Remove Compression Nut for
1/2" NPSM Male)

Mounting
Surface

Ø 2 1/4"
[57mm]

1 7/8"
[48mm]
Maximum
Thickness

23 13/16"
[605mm]

8 1/8"
[207mm]

7 7/8"
[199mm]

15 3/16"
[386mm]

12 1/16"
[306mm]

8"
[204mm]

B-0970-FEZ
Vacuum
Breaker

Rough-In Requirement:
Ø 1 1/2" [38mm] Mounting Hole

Product Specifications:

Easy Install Pre-Rinse Unit: Single Hole Deck Mount Mixing Faucet, Quarter-Turn Cerama Cartridges w/ Check Valves, Lever Handles, Add-On Faucet w/ 8" Swing Nozzle, Vacuum Breaker, Compact Spring, 24" Flexible Stainless Steel Hose, 0.65 GPM Low Flow JeTSpray Valve, 6" Wall Bracket & 18" Flexible Supply Hoses

Product Compliance:

ASME A112.18.1 / CSA B125.1
NSF 61 - Section 9
NSF 372 (Low Lead Content)
CSA B64.8 (VB)
2019 DOE PRSV - Class I
For Commercial Use Only



T&S BRASS AND BRONZE WORKS, INC.

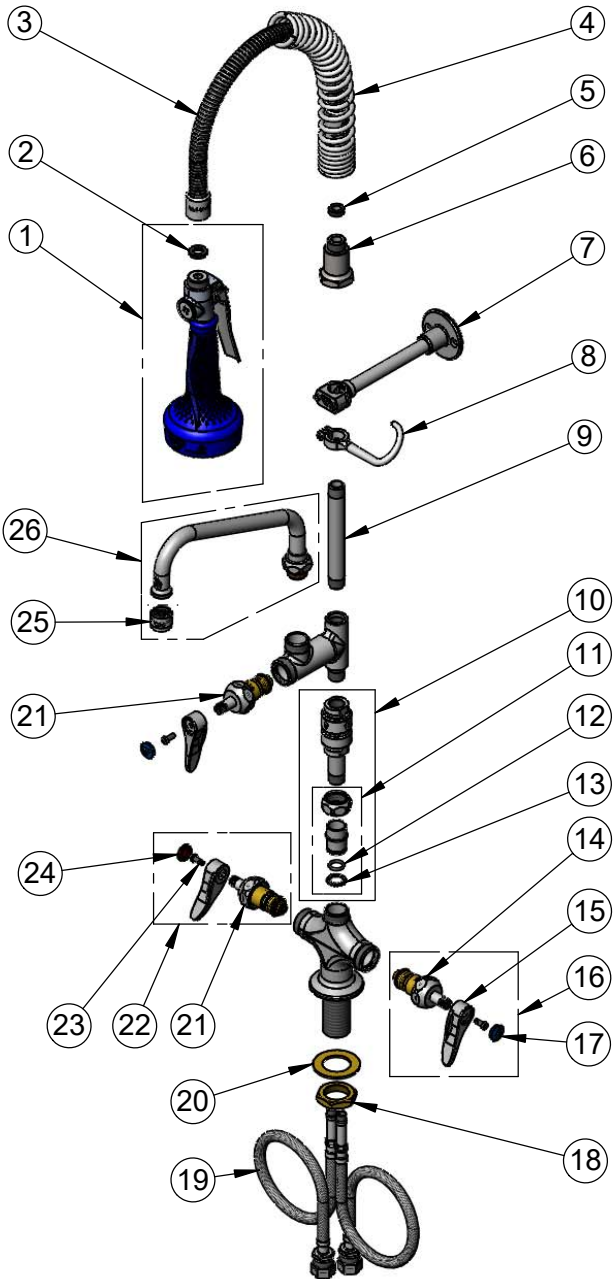
2 Saddleback Cove / P.O. Box 1088
Travelers Rest, SC 29690

Model No.

MPQ-2DLV-08-CR

Item No.

Travelers Rest, SC: 800-476-4103 • Simi Valley, CA: 800-423-0150 • Fax: 864-834-3518 • www.tsbrass.com



ITEM NO.	SALES NO.	DESCRIPTION
1	B-0108-C	0.65 GPM Low Flow Jet Spray Valve
2	001014-45	Washer, B-0100 Hose Barrel
3	B-0024-H2A	24" Flexible Stainless Steel Hose, Less Handle
4	016795-45	Compact Spring
5	010476-45	#27 Washer
6	000821-40	Spring Body
7	B-0109-01	6" Wall Bracket
8	004R	Finger Hook
9	001617-40	3/8" NPT x 5 3/16" Riser
10	B-0970-FEZ	EasyInstall Vacuum Breaker
11	EZ-K	EasyInstall Kit: Nut, Bushing, O-Ring & Lock Washer
12	001065-45	O-Ring
13	014200-45	Star Washer, Anti-Rotation
14	012395-25NS	Quarter-Turn Cerama Cartridge w/ Check Valve, LTC
15	001638-45NS	Lever Handle (New Style)
16	012447-25NS	Quarter-Turn Cerama Cartridge w/ Check Valve, Handle, Blue Index & Screw, LTC
17	018506-19NS	Blue Button Index, Press-in
18	000965-45	Lock Nut
19	012534-45	18" Flexible Supply Hose (2)
20	002290-45	Lock Washer
21	012394-25NS	Quarter-Turn Cerama Cartridge w/ Check Valve, RTC
22	012446-25NS	Quarter-Turn Cerama Cartridge w/ Check Valve, Handle, Red Index & Screw, RTC
23	000925-45	Lab Handle Screw
24	001193-19NS	Red Button Index, Press-in
25	B-PT	Stream Regulator Outlet
26	060X	8" Swing Nozzle

Product Specifications:

Easy Install Pre-Rinse Unit: Single Hole Deck Mount Mixing Faucet, Quarter-Turn Cerama Cartridges w/ Check Valves, Lever Handles, Add-On Faucet w/ 8" Swing Nozzle, Vacuum Breaker, Compact Spring, 24" Flexible Stainless Steel Hose, 0.65 GPM Low Flow Jet Spray Valve, 6" Wall Bracket & 18" Flexible Supply Hoses

Product Compliance:

ASME A112.18.1 / CSA B125.1
NSF 61 - Section 9
NSF 372 (Low Lead Content)
CSA B64.8 (VB)
2019 DOE PRSV - Class I
For Commercial Use Only