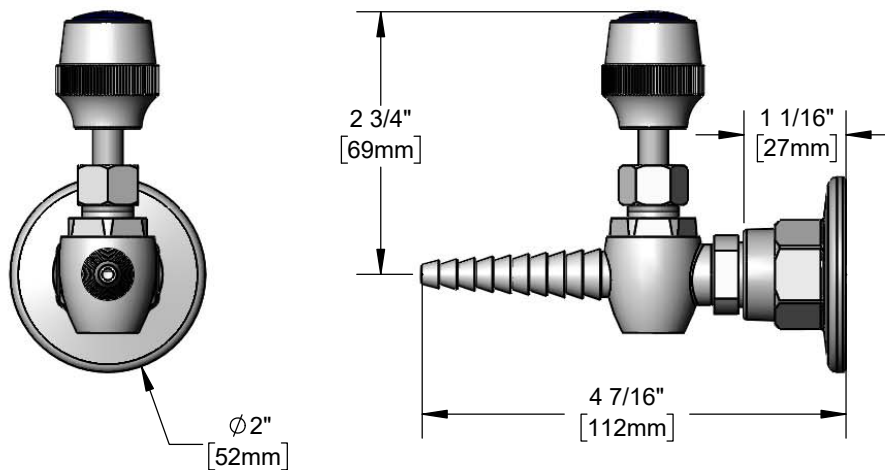




Architect/Engineering Specifications:

Laboratory panel flange with polished chrome plated body, needle valve hose cock for gas, air or vacuum with serrated tip outlet (accepts 1/4" to 3/8" I.D. hose) and 3/8" NPT female inlet. Certified to Z21.15a / CSA 9.1a.

Job Name _____
 Model Specified _____ Quantity _____
 Variations Specified _____
 Date _____



Features & Benefits:

- Laboratory panel flange with polished chrome plated body
- Needle valve hose cock w/ serrated tip (accepts 1/4" to 3/8" I.D. hose)
- Hose cock for gas, air or vacuum
- Special packing in valve suitable for Oxygen, Hydrogen, and other special gases
- Natural gas (dark blue) press-in index included
- Air (orange) press-in index included
- Vacuum (yellow) press-in index included
- $\phi 2"$ panel flange w/ 3/8" NPT female inlet
- Material: Polished chrome plated brass panel flange & ball valve hose cock

Product Compliance:

- ANSI Z21.15a / CSA 9.1a (Gas Valves)



Warranty: One Year (Limited)

Performance Data:

- Pressure:
 - Fuel Gas - 0.5 psi max
 - Other Gases Including Air - 80 psi max
 - Vacuum - 30 inches of Mercury max
- Temperature: 32°F - 125°F

