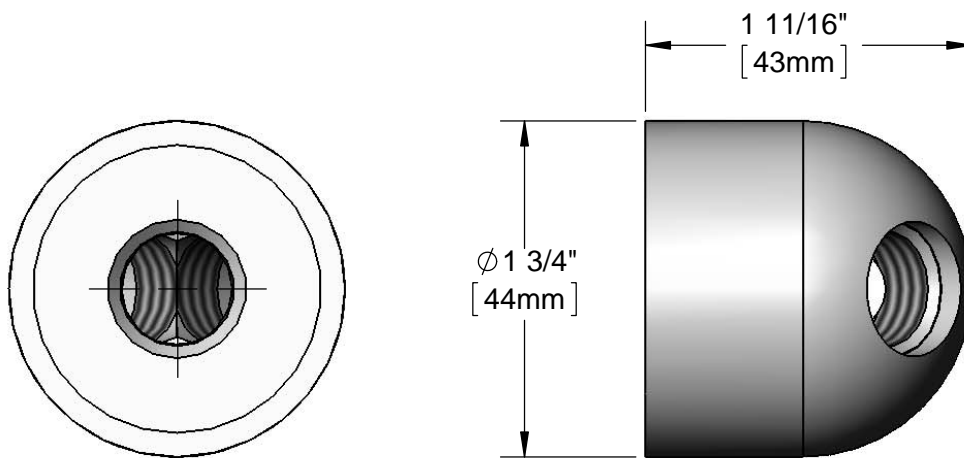
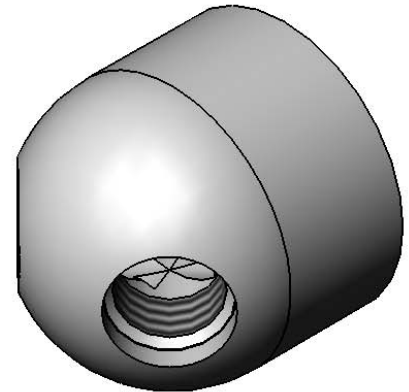




Architect/Engineering Specifications:

Chrome plated brass double panel flange with 3/8" NPT female inlet and outlets.

Job Name _____
 Model Specified _____ Quantity _____
 Variations Specified _____
 Date _____



Features & Benefits:

- Chrome plated brass laboratory double panel flange
- 3/8" female inlet
- 3/8" female outlets
- Material: Chrome plated brass

Product Compliance:

- N/A

Warranty: One Year (Limited)

Performance Data:

- N/A

