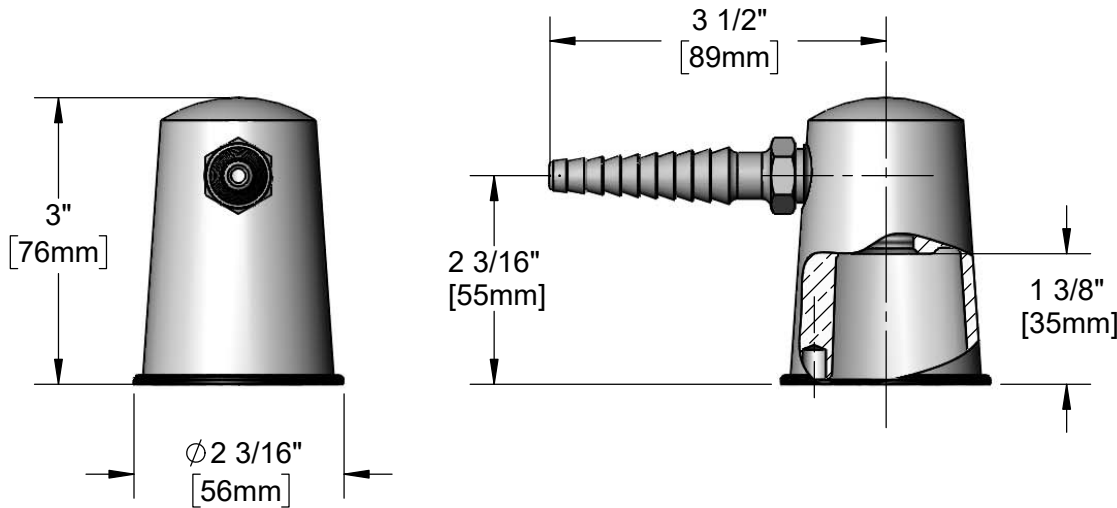
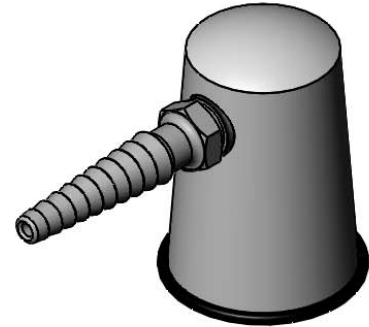




**Architect/Engineering Specifications:**

Deck mount laboratory turret with polished chrome plated brass body, serrated tip outlet and 3/8" NPT female inlet.

Job Name \_\_\_\_\_  
 Model Specified \_\_\_\_\_ Quantity \_\_\_\_\_  
 Variations Specified \_\_\_\_\_  
 Date \_\_\_\_\_



**Features & Benefits:**

- Deck mount laboratory turret with polished chrome plated brass body
- Serrated tip outlet, fits 1/4" to 3/8" I.D. hoses
- 3/8" NPT female inlet
- Black plastic base gasket
- Material: Polished chrome plated brass body

**Product Compliance:**

- NSF 61 Exempt (Non-Potable)

**Warranty:** One Year (Limited)

**Performance Data:**

- N/A

