

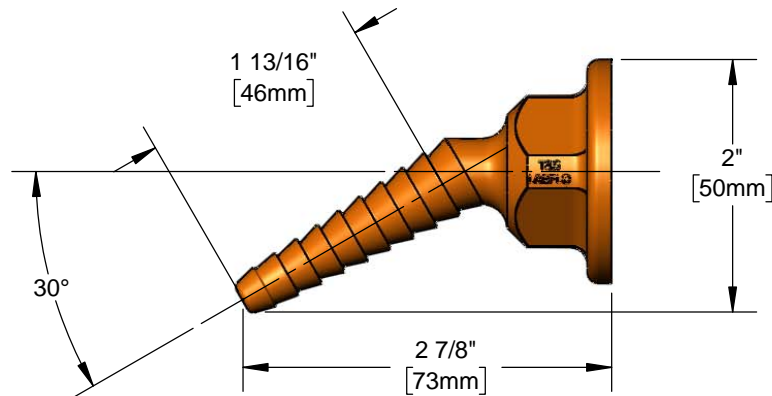
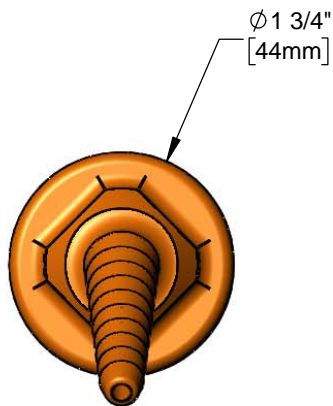


*Orange Panel Flange with Serrated Tip*

**Architect/Engineering Specifications:**

Orange polypropylene panel flange for air with serrated tip and 3/8" NPT female inlet. Certified to ASME A112.18.1/CSA B125.1.

Job Name \_\_\_\_\_  
 Model Specified \_\_\_\_\_ Quantity \_\_\_\_\_  
 Variations Specified \_\_\_\_\_  
 Date \_\_\_\_\_



**Features & Benefits:**

- Polypropylene panel flange with serrated tip
- Color coded orange for air operations
- 3/8" NPT female inlet
- Material: Polypropylene

**Product Compliance:**

- ASME A112.18.1 / CSA B125.1



**Warranty:** One Year (Limited)

**Performance Data:**

- Pressure: 125 psi max
- Temperature: 32 °F - 125 °F

