



**T&S BRASS AND BRONZE WORKS, INC.**  
 2 Saddleback Cove / P.O. Box 1088  
 Travelers Rest, SC 29690

Model No.  
**B-0210-CR-BVB-A**

Item No.

Travelers Rest, SC: 800-476-4103 • Simi Valley, CA: 800-423-0150 • Fax: 864-834-3518 • www.tsbrass.com

This Space for Architect/Engineer Approval

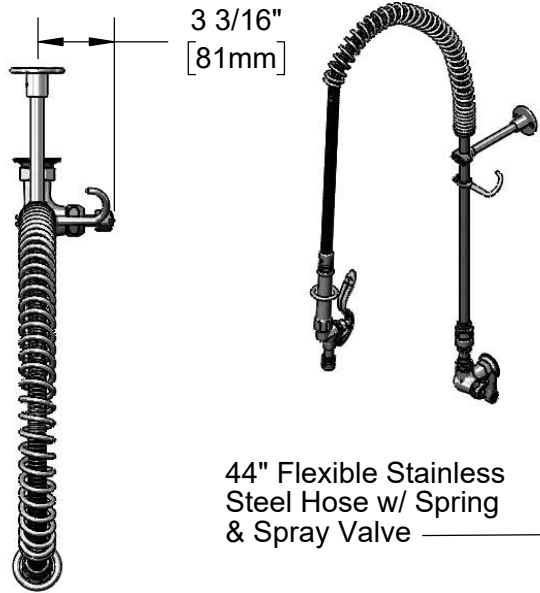
Job Name \_\_\_\_\_ Date \_\_\_\_\_

Model Specified \_\_\_\_\_ Quantity \_\_\_\_\_

Customer/Wholesaler \_\_\_\_\_

Contractor \_\_\_\_\_

Architect/Engineer \_\_\_\_\_



44" Flexible Stainless Steel Hose w/ Spring & Spray Valve

Items Not Shown For Clarity

Finger Hook

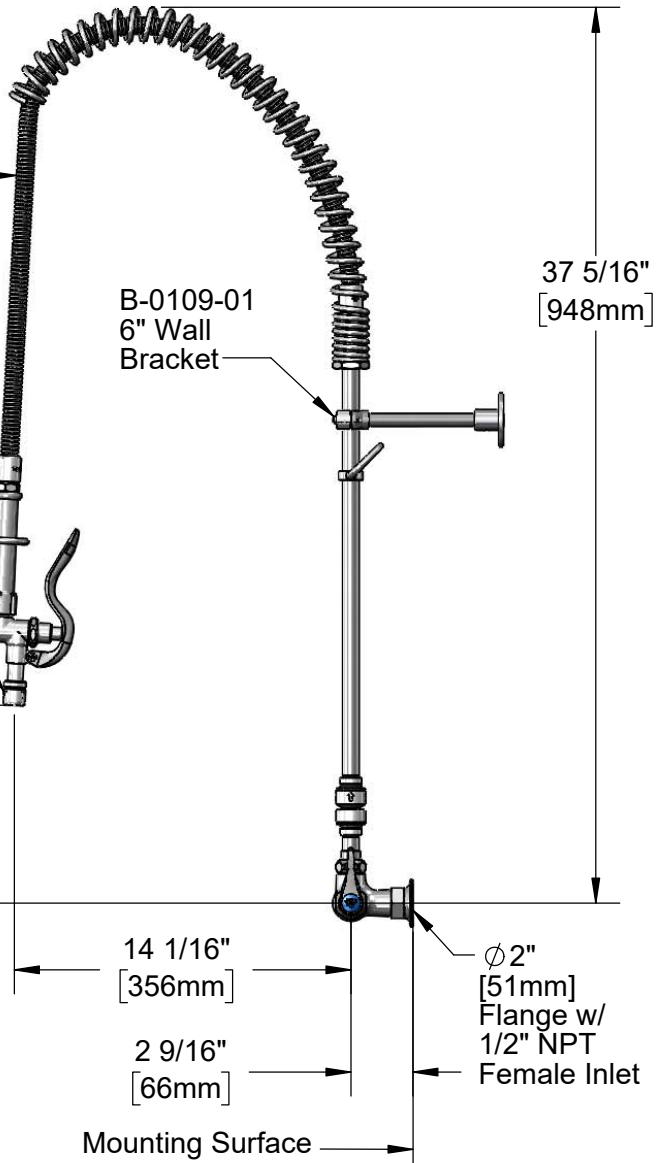
B-0107-A Spray Valve w/ 2.2 GPM Aerator

3/8" NPT x 18" Riser

B-0970-FEZ Vacuum Breaker

EasyInstall Lock Nut & Bushing

Quarter-Turn Cerama Cartridge w/ Check Valve & Lever Handle w/ Blue Color Coded Index



37 5/16" [948mm]

B-0109-01 6" Wall Bracket

8 1/4" [209mm]

14 1/16" [356mm]

2 9/16" [66mm]

Ø 2" [51mm] Flange w/ 1/2" NPT Female Inlet

Mounting Surface

**Product Specifications:**

Filler Unit: EasyInstall Single Hole Single Temperature Wall Mount Faucet, Quarter-Turn Cerama Cartridge w/ Check Valve, Lever Handle, 44" Flexible Stainless Steel Hose, Spray Valve w/ 2.2 GPM Aerator, Vacuum Breaker, 6" Wall Bracket & 1/2" NPT Female Inlet

**Product Compliance:**

ASME A112.18.1 / CSA B125.1  
 NSF 61 - Section 9  
 NSF 372 (Low Lead Content)  
 2019 DOE PRSV Non-Compliant  
 CSA B64.8 (VB)  
 Product Not Designed/Intended for Commercial Warewashing in North America



# T&S BRASS AND BRONZE WORKS, INC.

2 Saddleback Cove / P.O. Box 1088  
Travelers Rest, SC 29690

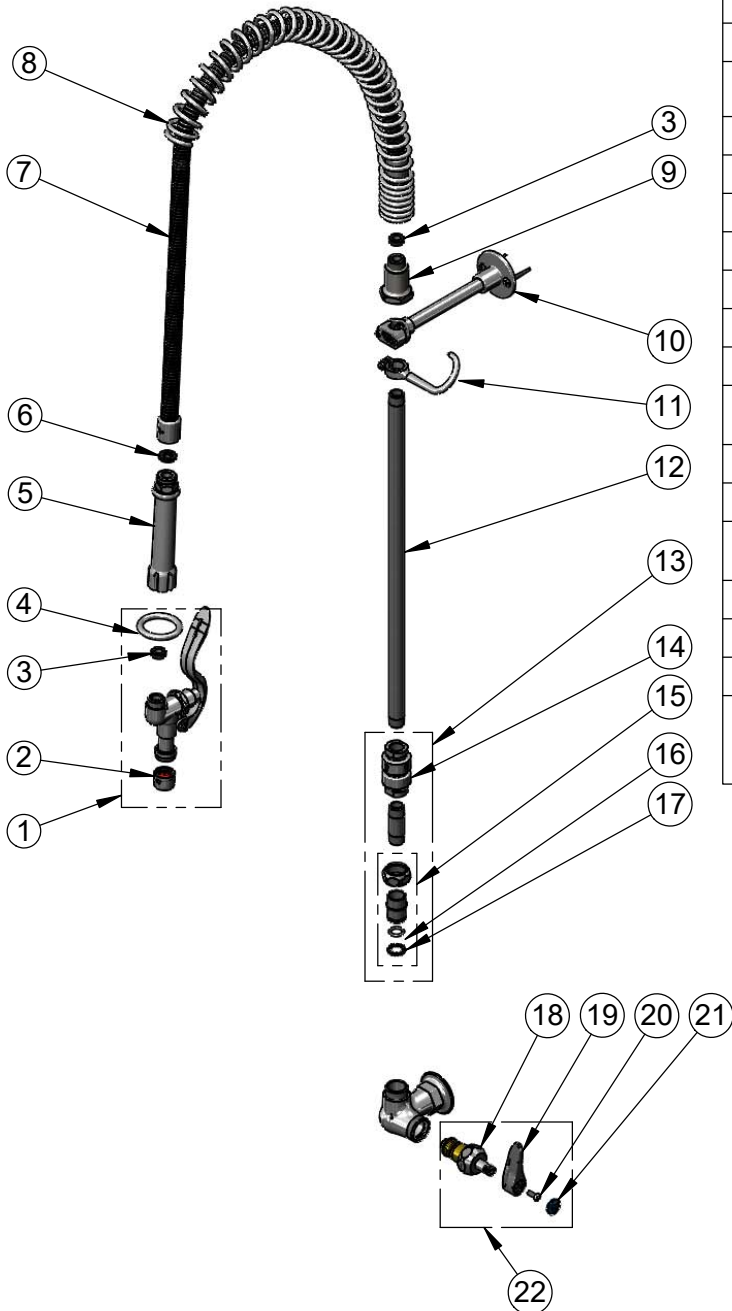
Model No.

**B-0210-CR-BVB-A**

Item No.

Travelers Rest, SC: 800-476-4103 • Simi Valley, CA: 800-423-0150 • Fax: 864-834-3518 • www.tsbrass.com

ITEM NO.	SALES NO.	DESCRIPTION
1	B-0107-A	Filler Valve w/ 2.2 GPM Aerator
2	B-0199-01	2.2 GPM Aerator, 55/64-27 UN Female
3	010476-45	#27 Washer
4	000907-45	Spray Valve Hold Down Ring
5	002987-40	Grip Handle
6	001014-45	Washer, B-0100 Hose Barrel
7	B-0044-H2A	44" Flexible Stainless Steel Hose, Less Handle
8	000888-45	EasyInstall Overhead Spring
9	000821-40	Spring Body
10	B-0109-01	6" Wall Bracket
11	004R	Finger Hook
12	000369-40	3/8" NPT x 18" Riser
13	B-0970-FEZ	EasyInstall Vacuum Breaker
14	B-0970-FE	3/8" NPT Vacuum Breaker
15	EZ-K	EasyInstall Kit: Nut, Bushing, O-Ring & Lock Washer
16	001065-45	O-Ring
17	014200-45	Star Washer, Anti-Rotation
18	012446-25NS	Quarter-Turn Cerama Cartridge, RTC w/ Check Valve
19	001638-45NS	Lever Handle (New Style)
20	000925-45	Lab Handle Screw
21	018506-19NS	Blue Button Index, Press-in
22	019641-25	Quarter-Turn Cerama Cartridge RTC w/ Check Valve, Handle, Blue Index & Screw



**Product Specifications:**

Filler Unit: EasyInstall Single Hole Single Temperature Wall Mount Faucet, Quarter-Turn Cerama Cartridge w/ Check Valve, Lever Handle, 44" Flexible Stainless Steel Hose, Spray Valve w/ 2.2 GPM Aerator, Vacuum Breaker, 6" Wall Bracket & 1/2" NPT Female Inlet

**Product Compliance:**

ASME A112.18.1 / CSA B125.1  
NSF 61 - Section 9  
NSF 372 (Low Lead Content)  
2019 DOE PRSV Non-Compliant  
CSA B64.8 (VB)  
Product Not Designed/Intended for  
Commercial Warewashing in North America