



Architect/Engineering Specifications:

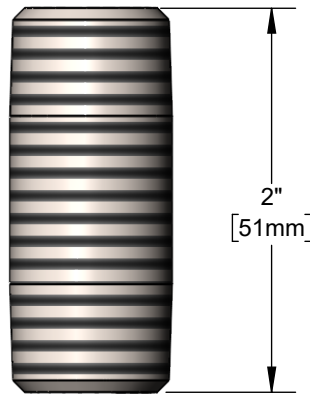
Stainless steel supply nipple with 1/2" NPT male threads and 1/2" NPSL thread. Certified to NSF 61-Section 9 and NSF 372.

Job Name _____

Model Specified _____ Quantity _____

Variations Specified _____

Date _____



Features & Benefits:

- Supply nipple
- 1/2" NPT male thread (both ends)
- 1/2" NPSL male thread
- Material: Stainless steel

Product Compliance:

- NSF 61 - Section 9
- NSF 372 (Low Lead Content)



Warranty: One Year (Limited)

Performance Data:

- N/A

