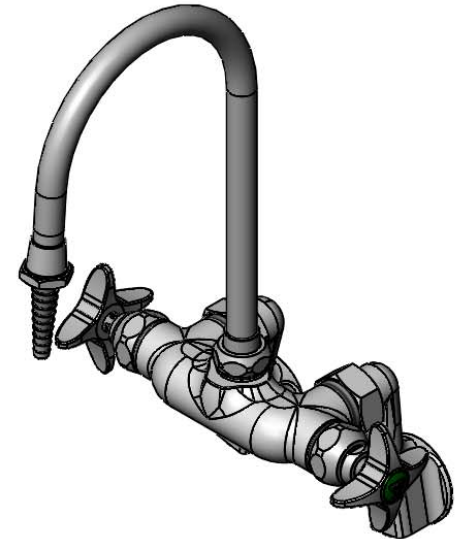
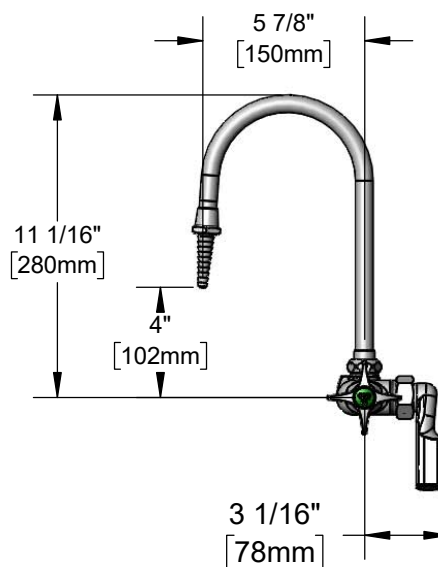
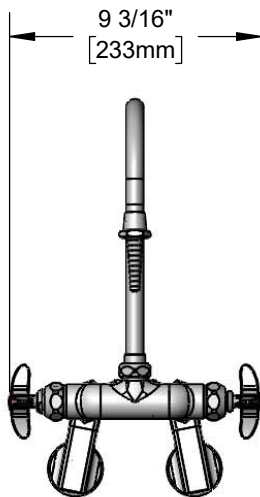




**Architect/Engineering Specifications:**

Adjustable wall mount mixing faucet with polished chrome plated brass body, 5 7/8" swivel/rigid gooseneck with serrated tip outlet, compression cartridges with spring checks, 4-arm handles and 1/2" NPT female adjustable arm inlets. Certified to ASME A112.18.1/CSA B125.1, NSF 61-Section 9 and NSF 372. Meets ADA ANSI/ICC A117.1 requirements.

Job Name \_\_\_\_\_  
 Model Specified \_\_\_\_\_ Quantity \_\_\_\_\_  
 Variations Specified \_\_\_\_\_  
 Date \_\_\_\_\_



**Features & Benefits:**

- Adjustable inlet wall mount mixing faucet with polished chrome plated brass body
- 5 7/8" swivel/rigid gooseneck
- Lock washer included for rigid applications
- Serrated tip outlet
- Quarter-turn Eterna compression cartridges with spring checks to prevent crossflow of water
- 4-arm handles w/ color coded indexes
- 1/2" NPT female adjustable arm inlets w/  $\phi 2$ " flanges
- Adjustable centers from 2 1/4" to 8 1/4" above or below centerline
- Material: Polished chrome plated brass body & tubular spout and chrome plated metal handles

**Product Compliance:**

- ASME A112.18.1 / CSA B125.1
- NSF 61 - Section 9
- NSF 372 (Low Lead Content)
- ANSI A117.1 (ADA)



**Warranty:** One Year (Limited)

**Performance Data:**

- Pressure: 20 - 125 psi
- Temperature: 40 °F - 140 °F
- Flow Rate: 5.00 GPM @ 60 psi



**Optional Cartridges With Checks**

- Quarter-Turn Cerama w/ Check Valve
- Quarter-Turn Eterna w/ Spring Check (Standard)

**Optional Handles**

- 4" Wrist Action
- Lever
- 4-Arm (Standard)

