



**T&S BRASS AND BRONZE WORKS, INC.**  
 2 Saddleback Cove / P.O. Box 1088  
 Travelers Rest, SC 29690

Model No.  
**B-0341-CCC**

Item No.

Travelers Rest, SC: 800-476-4103 • Simi Valley, CA: 800-423-0150 • Fax: 864-834-3518 • www.tsbrass.com



**ADA Compliant**

This Space for Architect/Engineer Approval

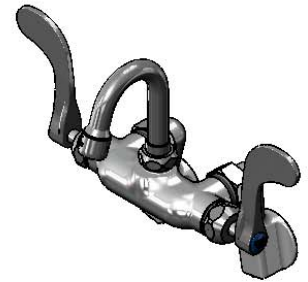
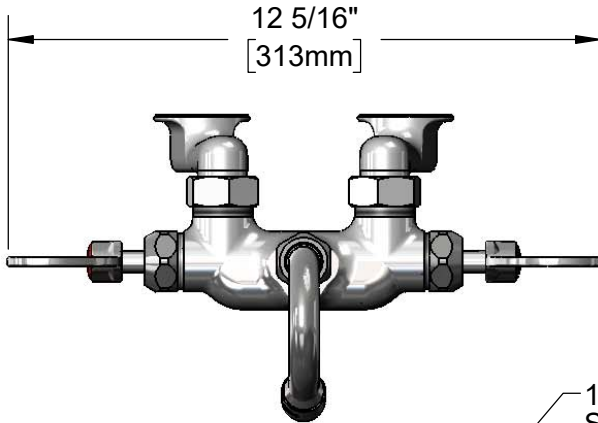
Job Name \_\_\_\_\_ Date \_\_\_\_\_

Model Specified \_\_\_\_\_ Quantity \_\_\_\_\_

Customer/Wholesaler \_\_\_\_\_

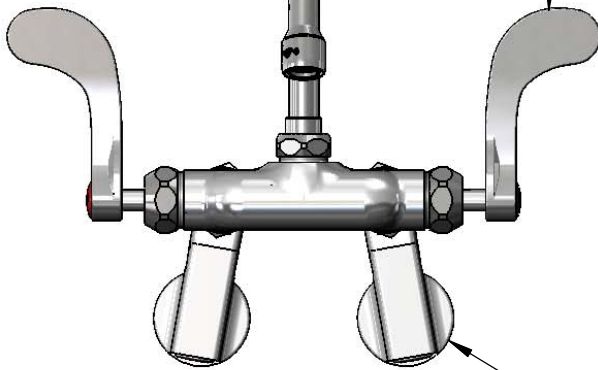
Contractor \_\_\_\_\_

Architect/Engineer \_\_\_\_\_



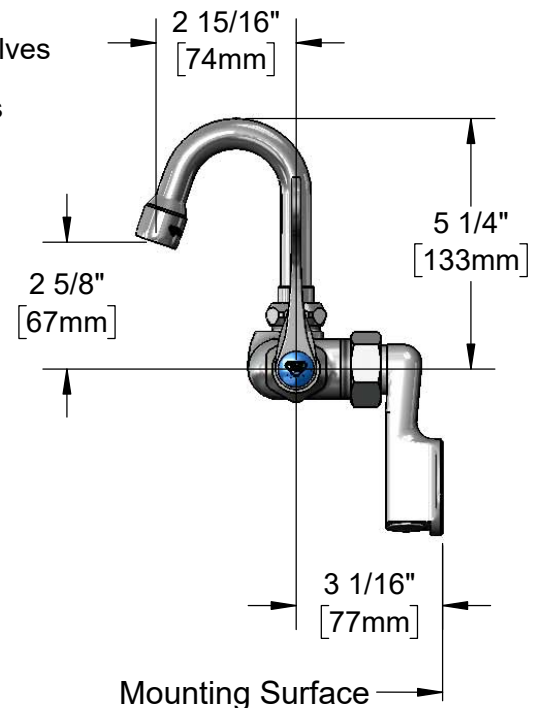
131X  
 Swivel Gooseneck w/  
 Stream Regulator Outlet.  
 Converts to Rigid w/  
 014200-45 Lock Washer  
 (Included)

Quarter-Turn Cerama  
 Cartridges w/ Check Valves  
 & Wrist Action Handles  
 w/ Color Coded Indexes



Adjustable  
 from  
 2 1/4" to 8 1/4"  
 [57mm to 210mm]  
 Above or Below Centerline

Ø 2" [51mm] Wall  
 Flanges w/ 1/2" NPT  
 Female Inlets



**Product Specifications:**

Wall Mounted Faucet, Quarter-Turn Cerama Cartridges w/ Check Valves, Swivel Gooseneck w/ Stream Regulator Outlet, Wrist Action Handles & 1/2" NPT Female Adjustable Arm Inlets

**Product Compliance:**

ASME A112.18.1 / CSA B125.1  
 NSF 61 - Section 9  
 NSF 372 (Low Lead Content)  
 ANSI A117.1 (ADA)



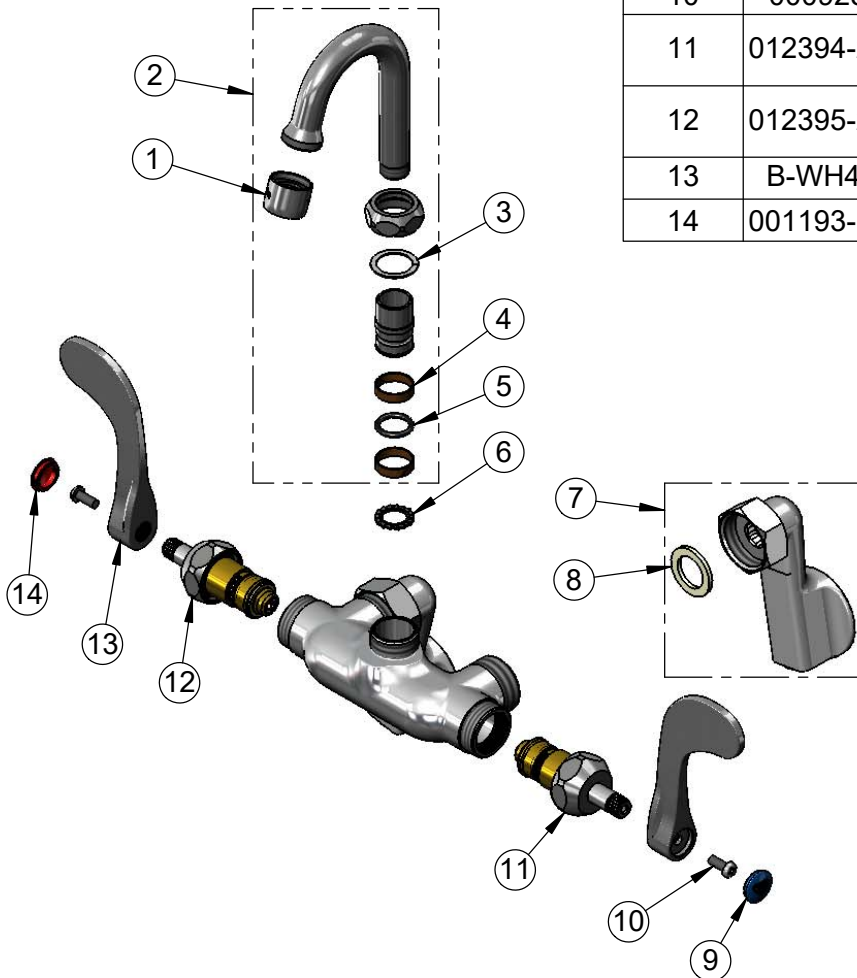
**T&S BRASS AND BRONZE WORKS, INC.**  
 2 Saddleback Cove / P.O. Box 1088  
 Travelers Rest, SC 29690

Model No.  
**B-0341-CCC**

Item No.

Travelers Rest, SC: 800-476-4103 • Simi Valley, CA: 800-423-0150 • Fax: 864-834-3518 • www.tsbrass.com

ITEM NO.	SALES NO.	DESCRIPTION
1	B-PT	Full Flow Stream Regulator, 55/64-27
2	131X	2 15/16" Swivel Gooseneck
3	009538-45	Swivel Washer
4	011429-45	Swivel Sleeves (2)
5	001074-45	O-Ring
6	014200-45	Star Washer, Anti-Rotation
7	00GG	1/2" NPT Female Adjustable Arm Flange
8	001019-45	Coupling Nut Washer
9	018506-19NS	Blue Button Index, Press-in
10	000925-45	Lab Handle Screw
11	012394-25NS	Quarter-Turn Cerama Cartridge w/ Check Valve, RTC
12	012395-25NS	Quarter-Turn Cerama Cartridge w/ Check Valve, LTC
13	B-WH4-NS	Wrist Action Handle (New Style)
14	001193-19NS	Red Button Index, Press-in



**Product Specifications:**  
 Wall Mounted Faucet, Quarter-Turn Cerama Cartridges w/ Check Valves,  
 Swivel Gooseneck w/ Stream Regulator Outlet, Wrist Action Handles &  
 1/2" NPT Female Adjustable Arm Inlets

**Product Compliance:**  
 ASME A112.18.1 / CSA B125.1  
 NSF 61 - Section 9  
 NSF 372 (Low Lead Content)  
 ANSI A117.1 (ADA)