



#### Architect/Engineering Specifications:

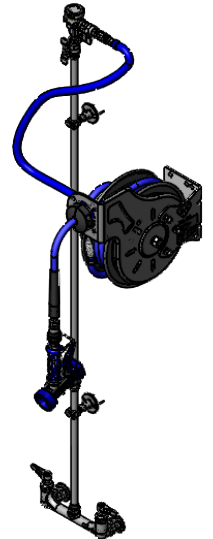
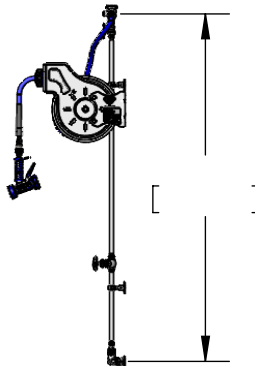
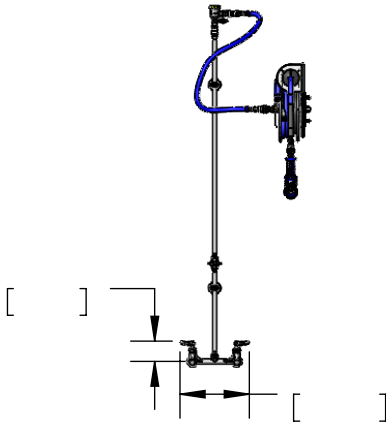
8" wall mount mixing faucet with polished chrome plated brass body, ceramic cartridges with check valves, lever handles, 1/2" NPT female inlets, 16" riser, control valve, 40" riser, wall brackets, continuous pressure vacuum breaker, 36" flexible water hose connector with stainless steel quick disconnect, open stainless steel hose reel with 3/8" x 15' heavy-duty non-marking hose, ratcheting system, high flow stainless steel rear trigger water gun with quick-disconnect, multi-fit bracket and adjustable hose bumper. Certified to ASSE 1056.

Job Name \_\_\_\_\_

Model Specified \_\_\_\_\_ Quantity \_\_\_\_\_

Variations Specified \_\_\_\_\_

Date \_\_\_\_\_



- All-in-one system with exposed piping and accessories
- 8" wall mount mixing faucet w/ polished chrome plated brass body
- Quarter-turn Cerama cartridges with check valves to prevent
  - Lever handles w/ color coded indexes
  - 1/2" NPT female eccentric inlets with Ø 2" flanges
  - Adjustable centers from 7 3/4" to 8 1/4"
  - EasyInstall 16" and rigid 40" risers w/ control valve between risers
  - (2) 2 3/8" wall brackets
  - Continuous pressure vacuum breaker
  - 36" flexible water hose connector with stainless steel quick disconnect
  - Open stainless steel hose reel
  - High flow stainless steel rear trigger water gun w/ quick-disconnect
  - 3/8" x 15' heavy-duty non-marking hose rated to 300 PSI
  - Ratcheting system holds the length of hose until a slight tug to retract
- Adjustable hose bumper
- Multi-fit bracket for wall, ceiling or under counter mounting
- Material: Polished chrome plated brass faucet body, risers, control valve and spray valve body, chrome plated brass vacuum breaker, chrome plated metal handles, and stainless steel reel.

- Pressure: 20 - 125 psi [1.38 - 8.62 bar]
- Temperature: 40 F - 140 F [4.44 C - 60 C]
- Flow Rate: 2.84 GPM [6.63 L/min] @ 60 psi [4.14 bar]



#### Optional Cartridges With Checks

- Quarter-Turn Cerama w/ Check Valve (Standard)
- Quarter-Turn Eterna w/ Spring Check

#### Optional Hose Reel Spray Valves

- B-0107 Spray Valve
- B-0108 Ergonomic Medium Flow Spray Valve
- B-0108-H Ergonomic High Flow Spray Valve
- EB-0107 High Flow Spray Valve
- EB-2322 Extended Spray Wand
- MV-2516-24 Stainless Steel Rear Trigger Water Gun (Standard)
- MV-2522-24 Stainless Steel Front Trigger Water Gun
- MV-3516-24 Aluminum Rear Trigger Water Gun

