



# Service Sink / Mop Sink Faucets

## B-0652

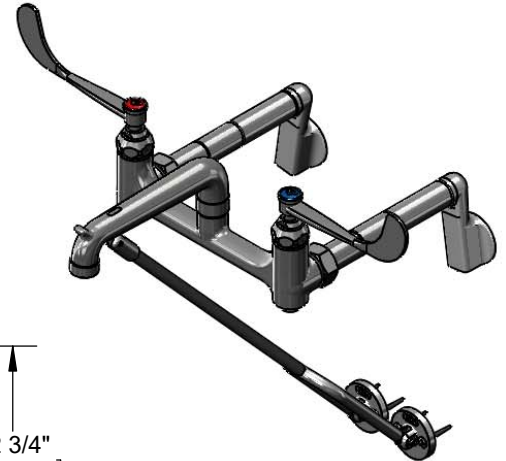
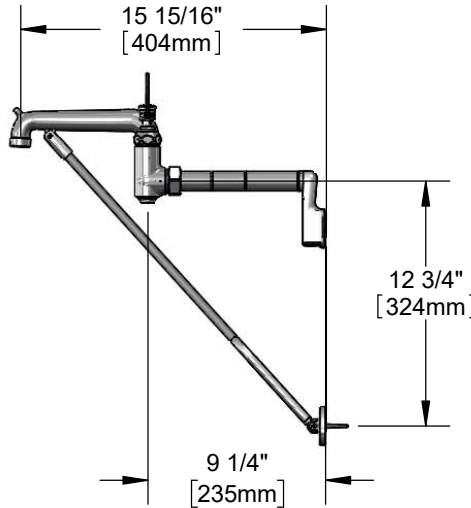
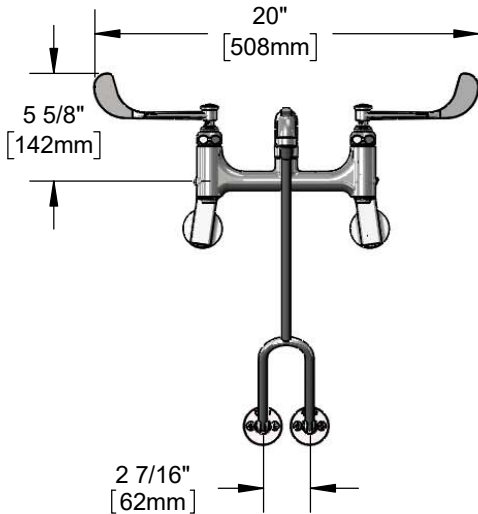
TAG:

## Service Sink Faucet

### Architect/Engineering Specifications:

Adjustable wall mount mixing faucet with polished chrome plated brass body, polished chrome plated brass spout with pail hook and plain end outlet, compression cartridges with spring checks, 6" wrist action handles, 1/2" NPT female extension inlets, built-in service stops in body and lower support rod. Certified to ASME A112.18.1/CSA B125.1, NSF 61-Section 9 and NSF 372. Meets ADA ANSI/ICC A117.1 requirements.

Job Name \_\_\_\_\_  
 Model Specified \_\_\_\_\_ Quantity \_\_\_\_\_  
 Variations Specified \_\_\_\_\_  
 Date \_\_\_\_\_



### Features & Benefits:

- Adjustable wall mount mixing faucet with polished chrome plated brass body
- Spout with pail hook & plain end outlet
- 6" wrist action handles with color coded indexes
- Quarter-turn Eterna compression cartridges with spring checks to prevent cross flow of water
- 1/2" NPT eccentric female inlets w/ Ø2" flanges & (2) 1 3/4" and (1) 2 3/4" extensions
- Adjustable centers from 3 1/4" to 12 3/4" above and below the centerline
- Built-in service stops in body
- Lower support rod
- Material: Polished chrome plated brass body, spout, inlets, support rod and handles

### Product Compliance:

- ASME A112.18.1 / CSA B125.1
- NSF 61 - Section 9
- NSF 372 (Low Lead Content)
- ANSI A117.1 (ADA)



**Warranty:** One Year (Limited)

### Performance Data:

- Pressure: 20 - 125 psi
- Temperature: 40 °F - 140 °F
- Flow Rate: 12.20 GPM @ 60 psi



### Optional Handles

- 4" Wrist Action
- Lever
- 4-Arm

### Optional Cartridges With Checks

- Quarter-Turn Cerama w/ Check Valve
- Quarter-Turn Eterna w/ Spring Check (Standard)



T&S BRASS AND BRONZE WORKS, INC.



• 2 Saddleback Cove • Travelers Rest, SC 29690  
 Ph 800-476-4103 • Fax 864-834-3518  
 • Simi Valley, CA • Ph 800-423-0150 • www.tsbrass.com

Date: 11/02/18