



T&S BRASS AND BRONZE WORKS, INC.

2 Saddleback Cove / P.O. Box 1088
Travelers Rest, SC 29690

Model No.

B-0406-04

Item No.

Travelers Rest, SC: 800-476-4103 • Simi Valley, CA: 800-423-0150 • Fax: 864-834-3518 • www.tsbrass.com

This Space for Architect/Engineer Approval

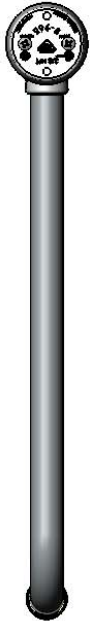
Job Name _____ Date _____

Model Specified _____ Quantity _____

Customer/Wholesaler _____

Contractor _____

Architect/Engineer _____



B-0968
3/8" NPT Atmospheric
Vacuum Breaker Not For
Continuous Pressure

B-0408-04 w/
Stream Regulator
Outlet

8 15/16"
[227mm]

11 9/16"
[294mm]

4 5/8"
[118mm]

360° Swivel
Joint

Rigid To Swivel
Adapter

3/8" NPT x 5" Riser

3/8" NPT
Male Inlet

Product Specifications:

3/8" NPT Female Vacuum Breaker Swing Nozzle w/ Stream Regulator Outlet, Rigid To Swivel Adapter, 11 9/16" Spread & 3/8" NPT Inlet

Product Compliance:

ASME A112.18.1 / CSA B125.1
NSF 61 - Section 9
NSF 372 (Low Lead Content)
ASSE 1001 (VB)



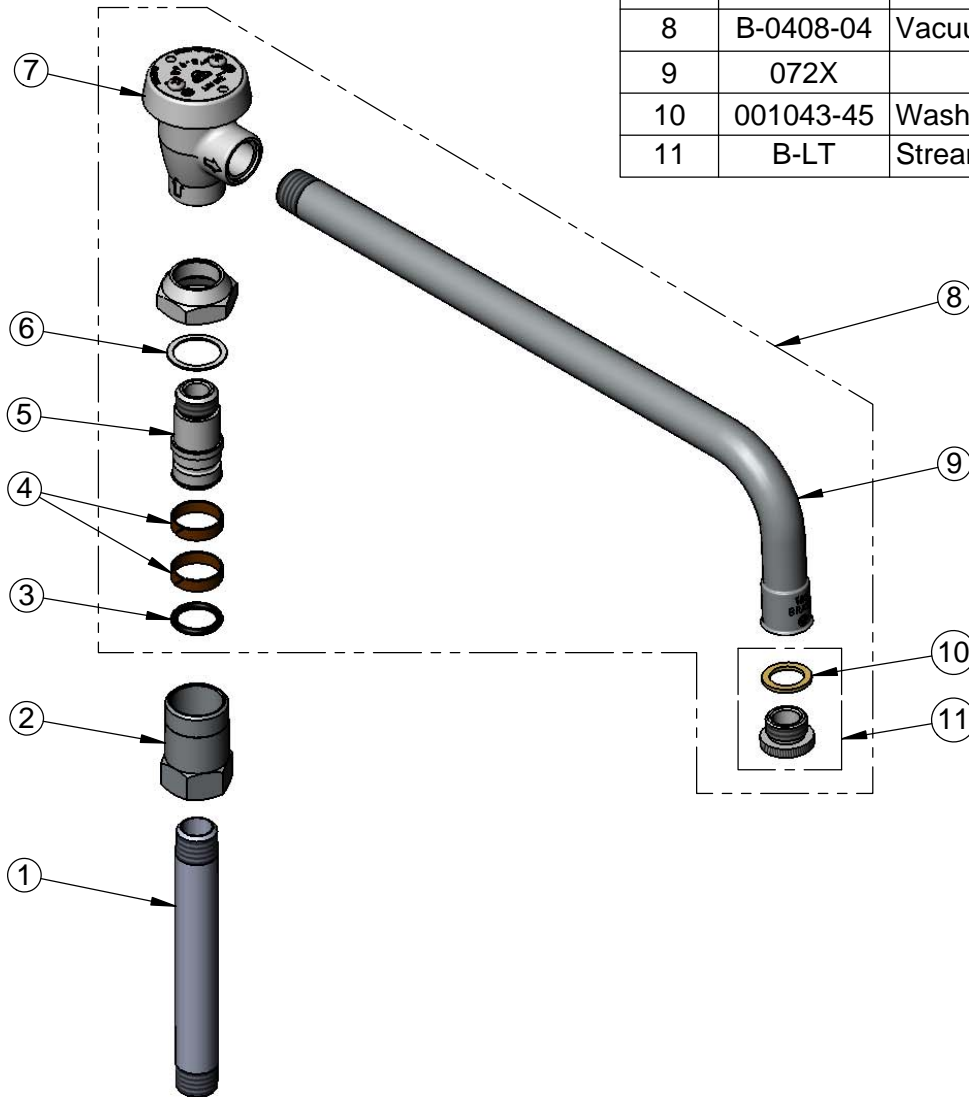
T&S BRASS AND BRONZE WORKS, INC.
 2 Saddleback Cove / P.O. Box 1088
 Travelers Rest, SC 29690

Model No.
B-0406-04

Item No.

Travelers Rest, SC: 800-476-4103 • Simi Valley, CA: 800-423-0150 • Fax: 864-834-3518 • www.tsbrass.com

ITEM NO.	SALES NO.	DESCRIPTION
1	000361-40	3/8" NPT x 5" Nipple
2	054X	Swivel Body
3	001074-45	O-Ring
4	011429-45	Swivel Sleeves (2)
5	000843-25	Swivel Body
6	009E	Plastic Washer
7	B-0968	3/8" NPT Vacuum Breaker
8	B-0408-04	Vacuum Breaker Swing Nozzle
9	072X	
10	001043-45	Washer
11	B-LT	Stream Regulator Outlet



Product Specifications:
 3/8" NPT Female Vacuum Breaker Swing Nozzle w/ Stream Regulator Outlet,
 Rigid To Swivel Adapter, 11 9/16" Spread & 3/8" NPT Inlet

Product Compliance:
 ASME A112.18.1 / CSA B125.1
 NSF 61 - Section 9
 NSF 372 (Low Lead Content)
 ASSE 1001 (VB)